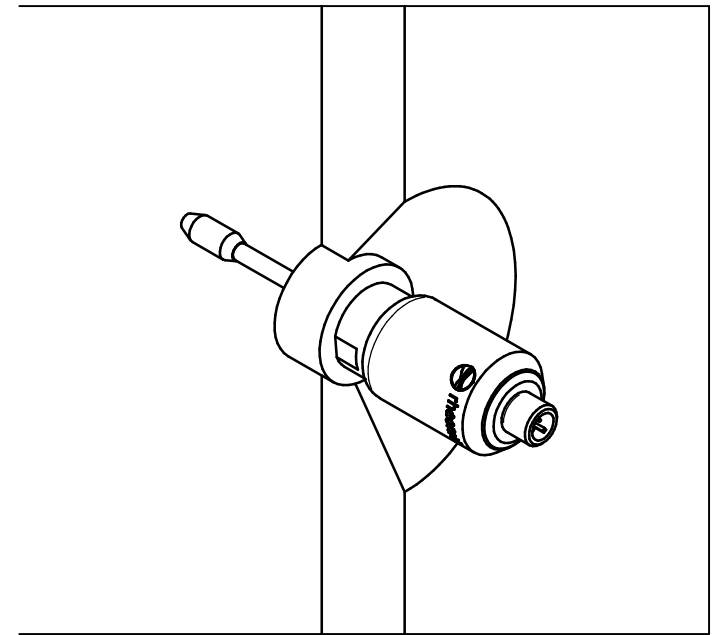
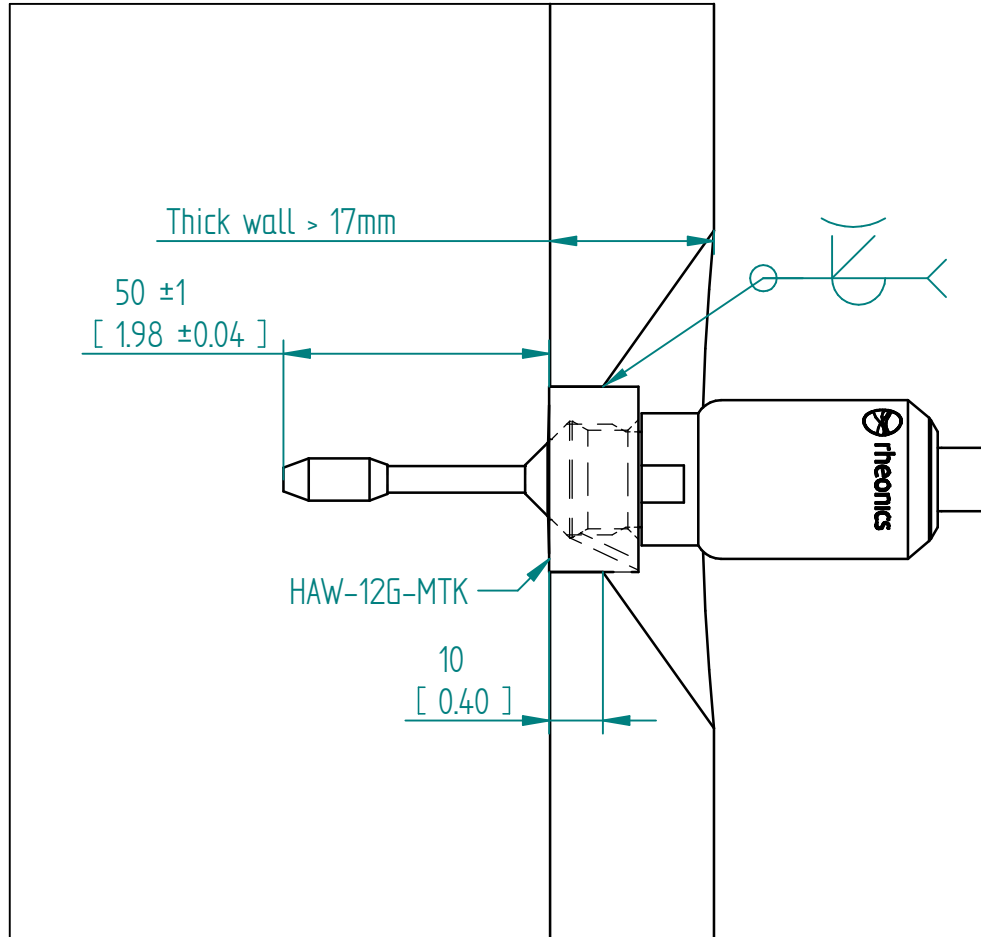


SRV Installation	
Sensor code	SRV-X1-12G
Connection	1/2" G Thread
Accessory part	HAW-12G-MTK



Units: mm
[inch]

Rheonics SRV 1/2" G Thread Thick wall welded HAW

This drawing remains property of rheonics. It may be neither copied nor informed to third persons or competitors without our approval. (2 paragraph 1 fig.7 copyright act of 9th Sept. 1965)

Protected by US and International patents granted and pending

rheonics • Switzerland • USA • www.rheonics.com • info@rheonics.com +41 52 511 32 00 +1 713 364 5427

Release: 2308

rheonics 

inline process
density and viscosity
monitoring