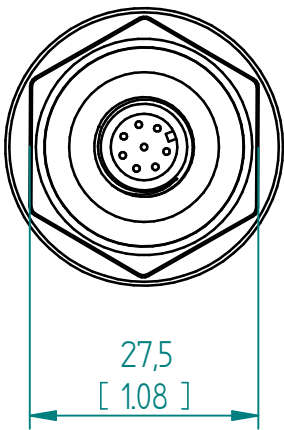
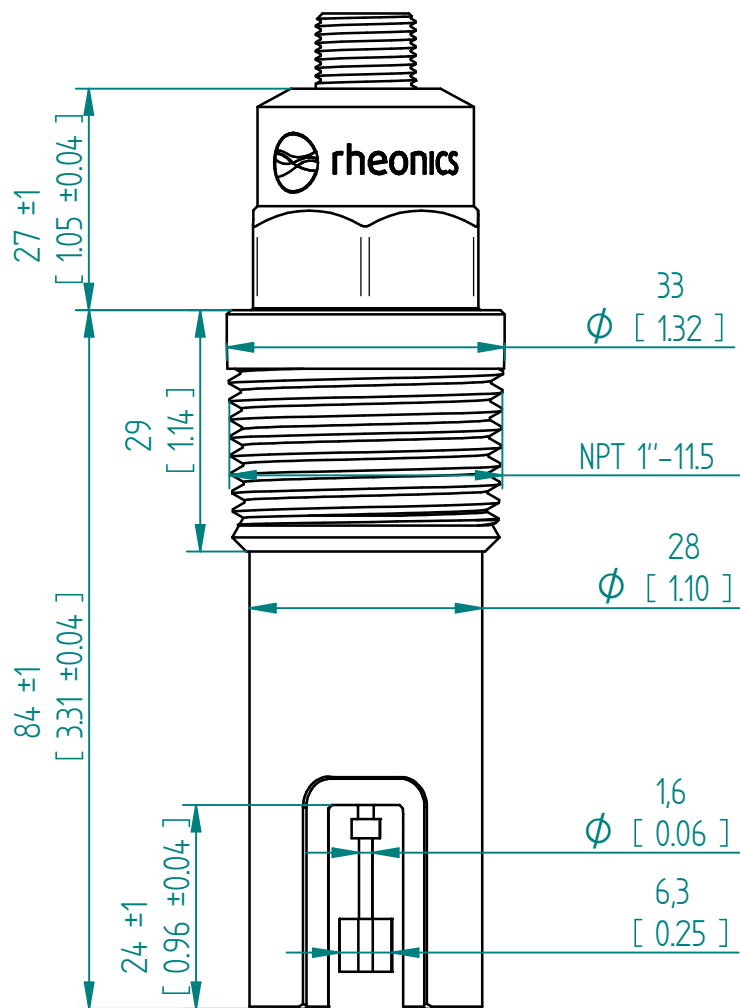
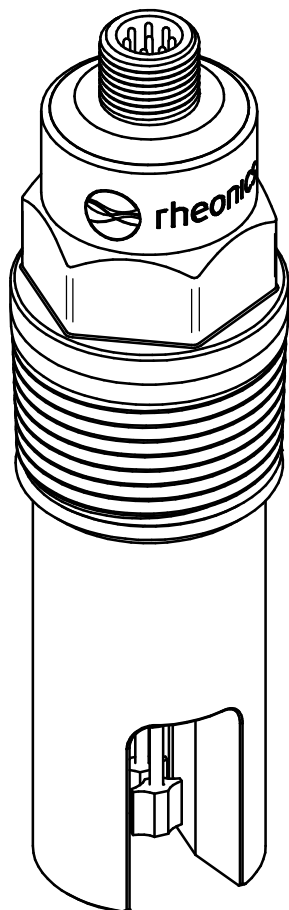


Max. available Pressure rating 700 bar (10 000 psi)

Material Titanium Grade 5

Process connection NPT 1" - 11.5

Order Code DVP-X1-1N0



Units: mm
[inch]

rheonics



inline process
density and viscosity
monitoring

DVP-X1-1N0

This drawing remains property of rheonics. It may be neither copied nor informed to third persons or competitors without our approval. (2 § paragraph 1 fig.7 copyright act of 9th Sept. 1965)

Protected by US and International patents granted and pending

rheonics • Switzerland • USA • www.rheonics.com • info@rheonics.com +41 52 511 32 00 +1 713 364 5427

Release: 2410