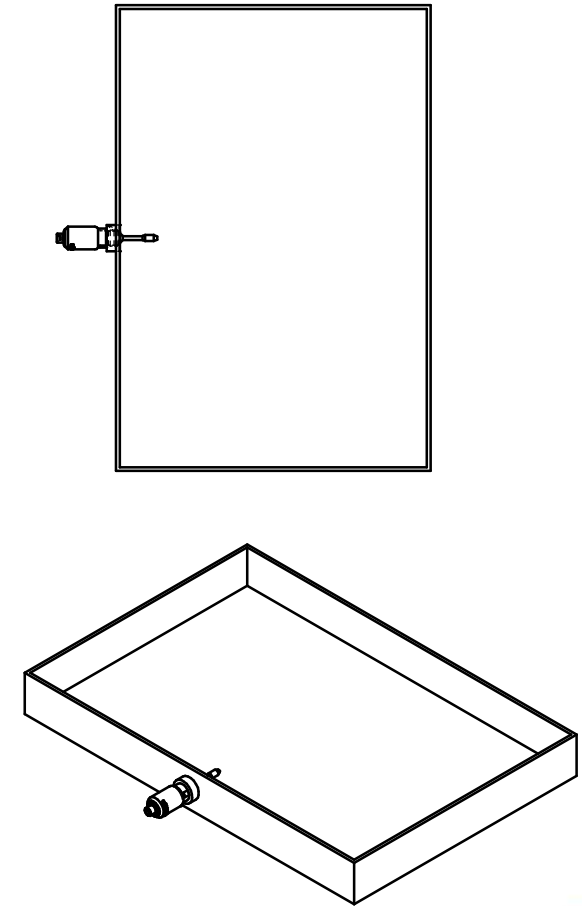


SRV G1/2 Installation in Tray Wall	
Sensor Order Code	SRV-X1-12G
Process Connection	G 1/2" BSPP Thread



Units: mm
 [inch]

SRV-X1-12G Tray Mounting

This drawing remains property of rheonics. It may be neither copied nor informed to third persons or competitors without our approval. (2 paragraph 1 fig.7 copyright act of 9th Sept. 1965)



Protected by US and International patents granted and pending