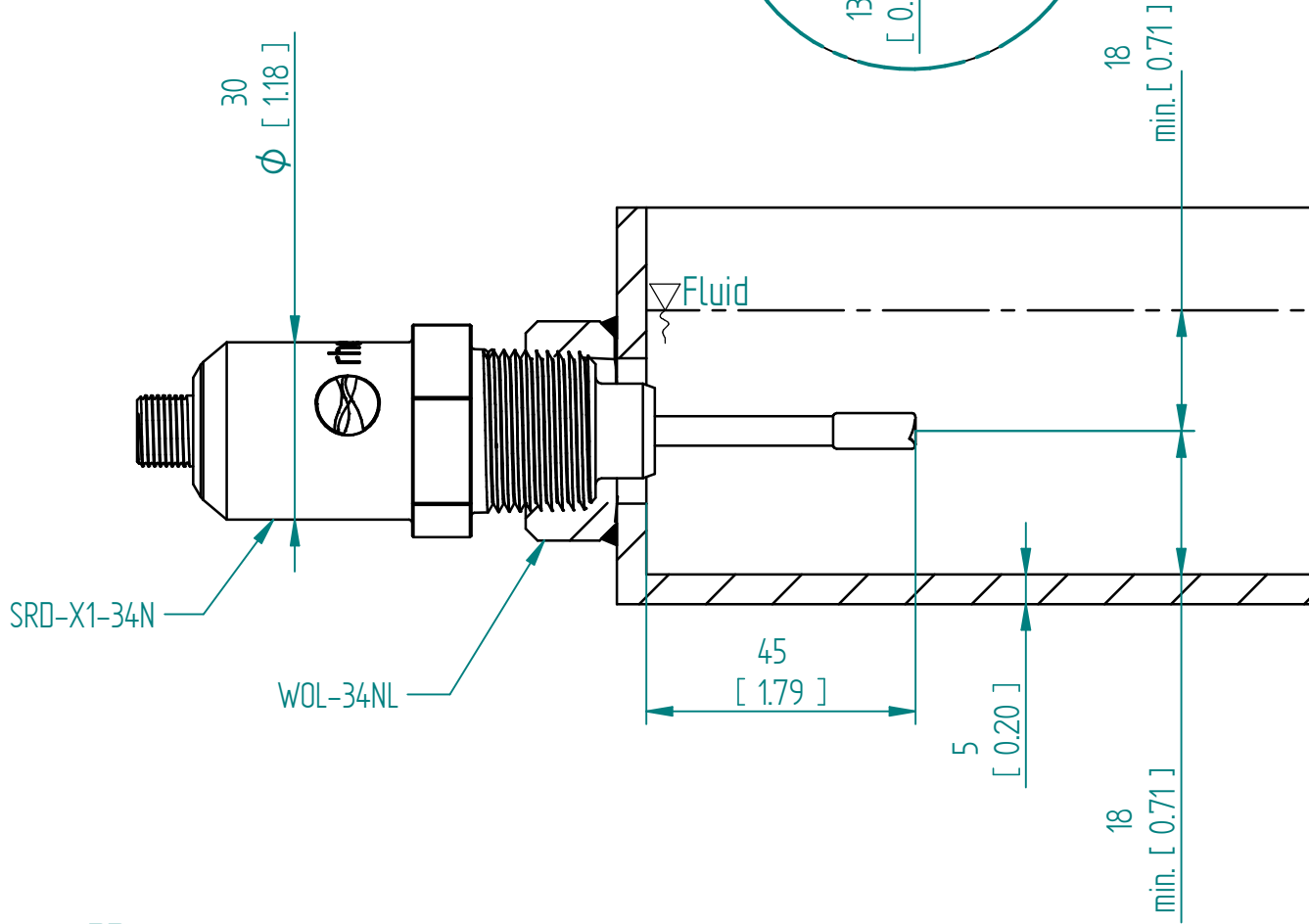
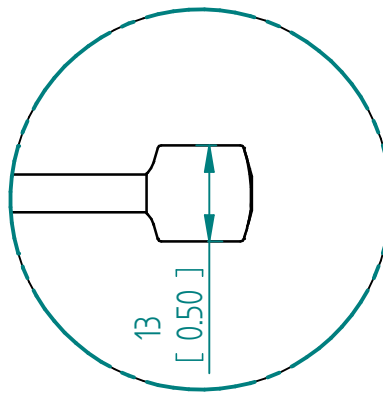
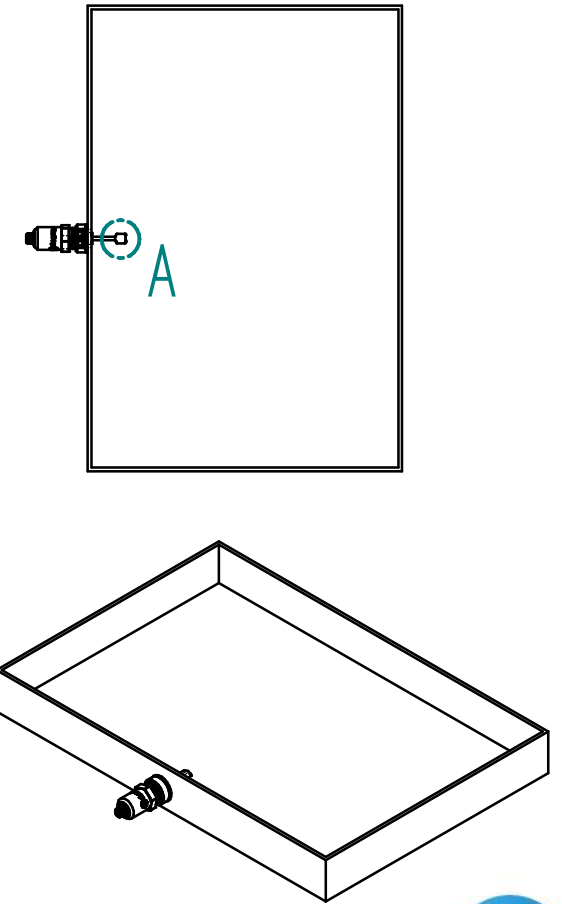


# Section A



SRD 3/4" NPT Installation in Tray Wall	
Sensor Order Code	SRD-X1-34N
Process Connection	3/4" NPT-14 Thread



Units: mm [inch]

## SRD-X1-34N Tray Mounting

This drawing remains property of rheonics. It may be neither copied nor informed to third persons or competitors without our approval. ( 2 paragraph 1 fig.7 copyright act of 9th Sept. 1965)

Protected by US and International patents granted and pending

