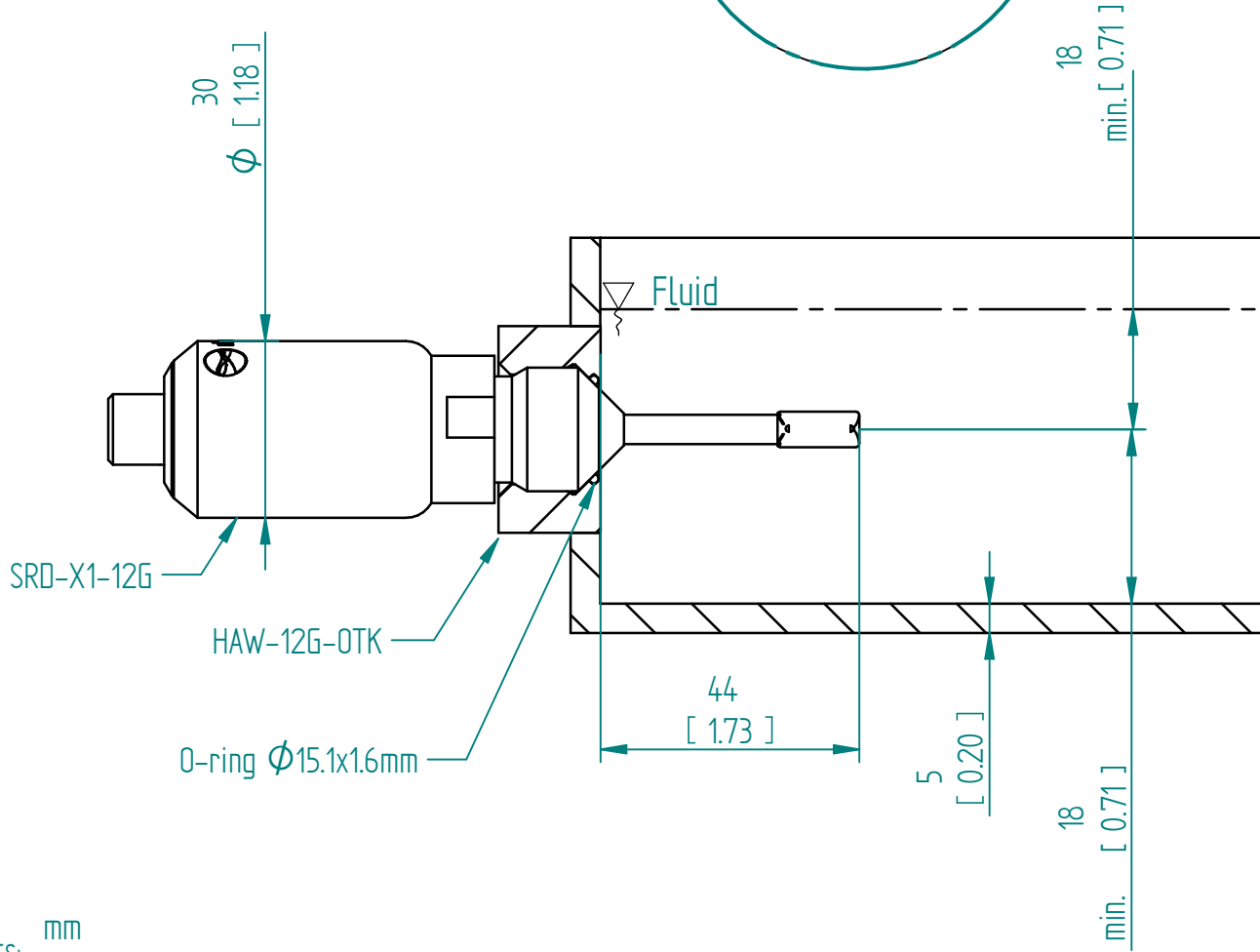
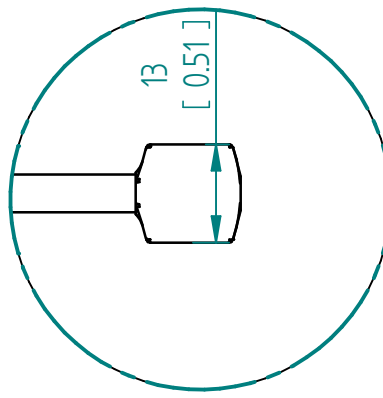
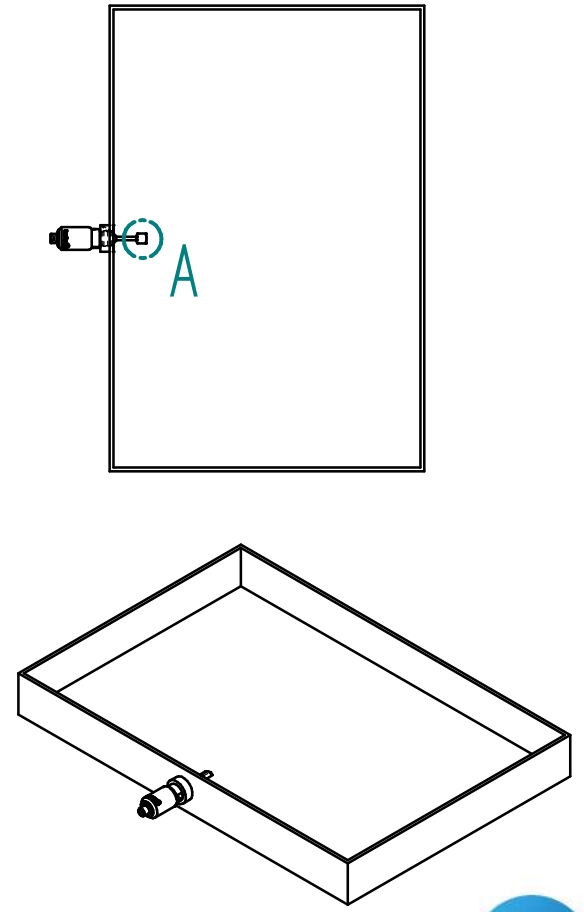


Section A



SRD G1/2 Installation in Tray Wall	
Sensor Order Code	SRD-X1-12G
Process Connection	G 1/2" BSPP Thread



Units: mm [inch]

SRD-X1-12G Tray Mounting

This drawing remains property of rheonics. It may be neither copied nor informed to third persons or competitors without our approval. (2 paragraph 1 fig.7 copyright act of 9th Sept. 1965)

Protected by US and International patents granted and pending

