

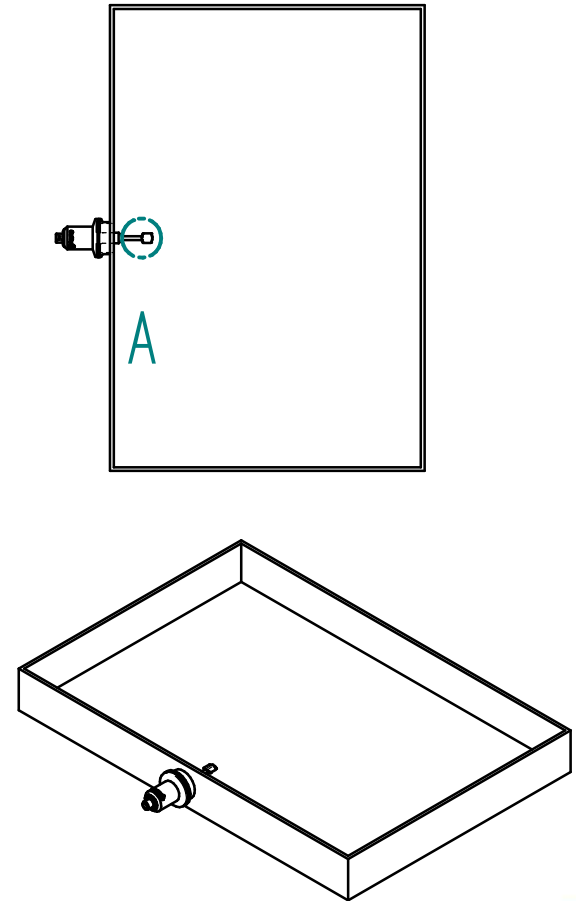
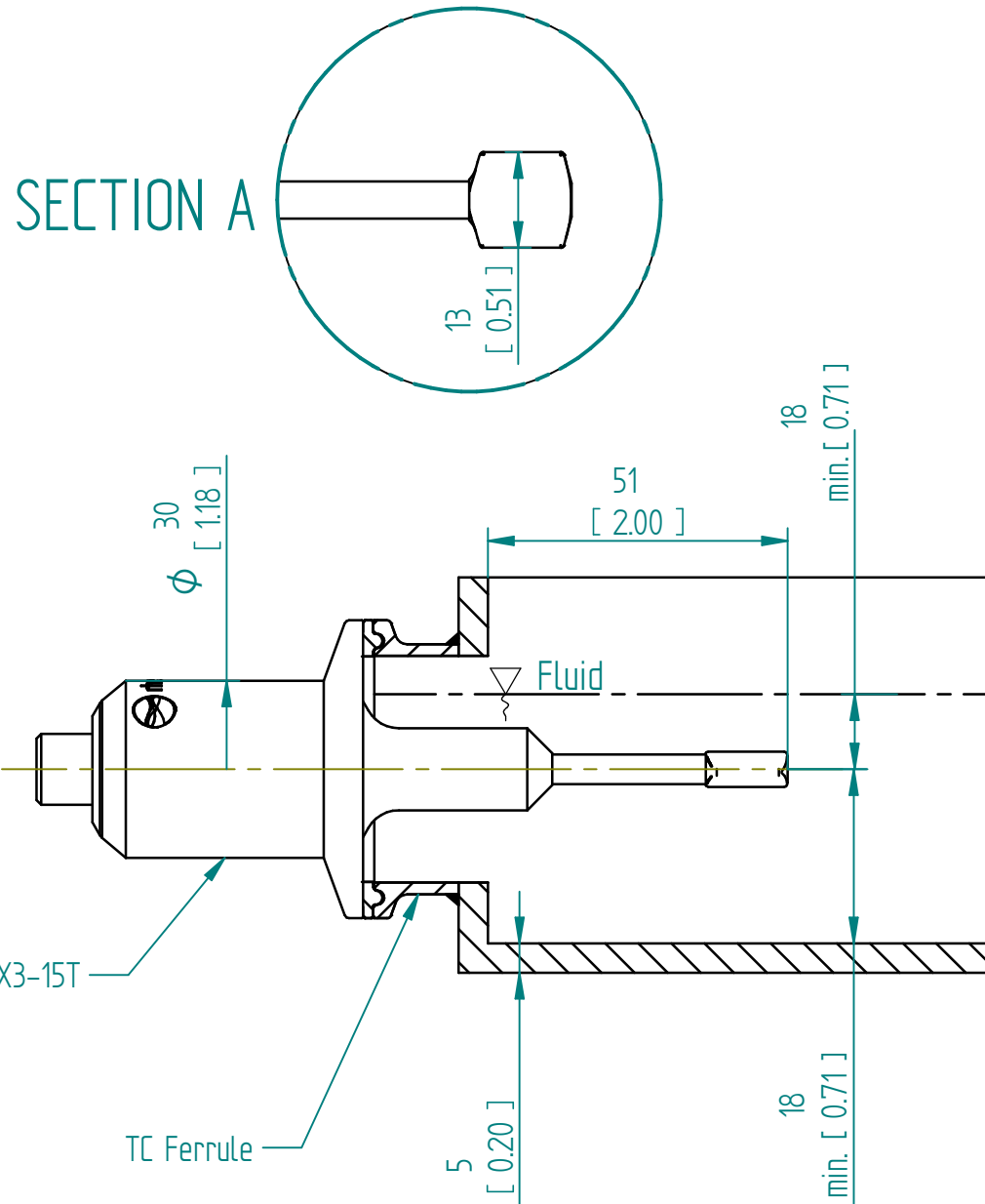
## SRD 1.5" Tri-Clamp Installation in Tray Wall

Sensor Order Code

SRD-HD-X3-15T

Process Connection

1.5" Tri-Clamp



Units: mm  
[inch]

## SRD-HD-X3-15T Tray Mounting

This drawing remains property of rheonics. It may be neither copied nor informed to third persons or competitors without our approval. ( 2 paragraph 1 fig.7 copyright act of 9th Sept. 1965)

rheonics 

inline process  
density and viscosity  
monitoring

Protected by US and International patents granted and pending

rheonics • Switzerland • USA • www.rheonics.com • info@rheonics.com +41 52 511 32 00 +1 713 364 5427

Release: 2408