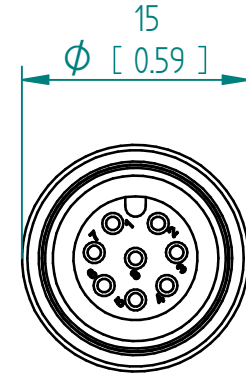
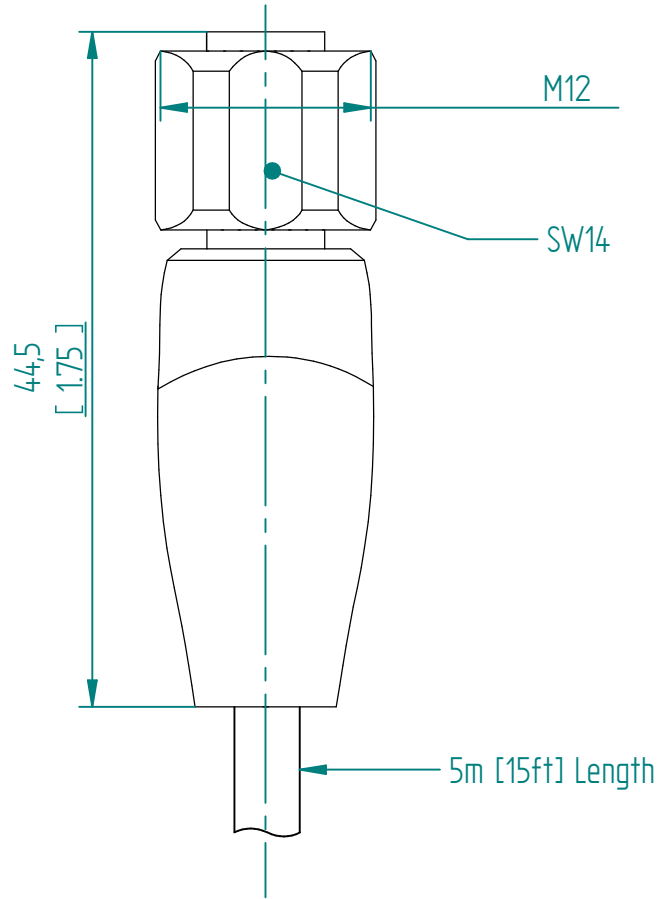
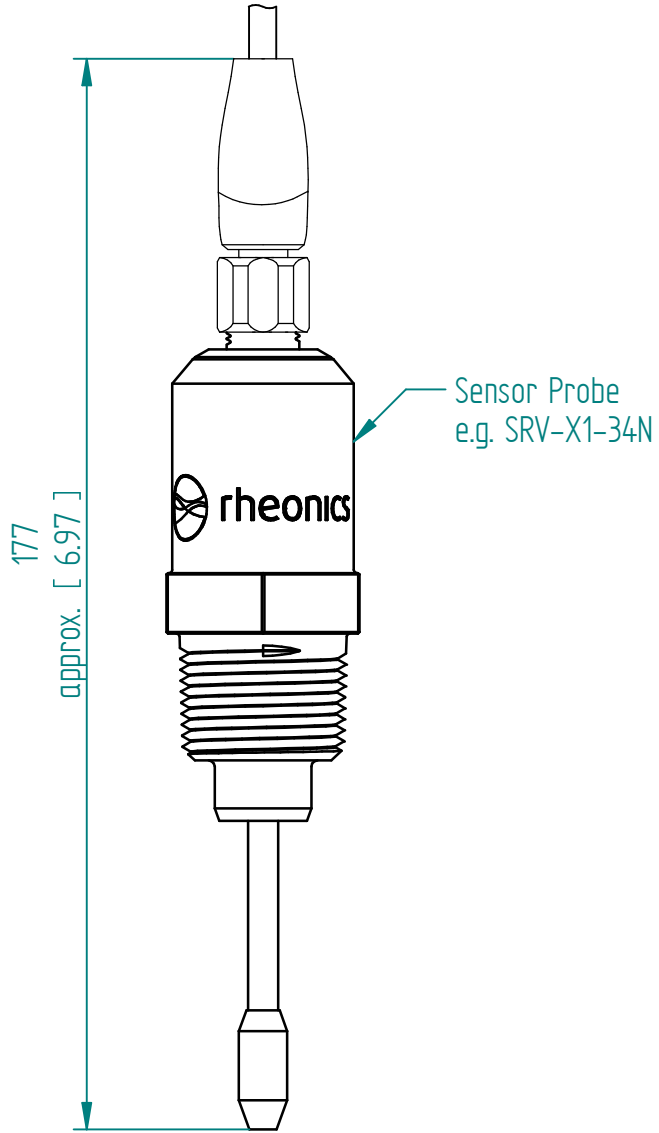


Specifications	
Sheath material	TPE-S
IP Rating	IP69K
Temperature Range	-40°C to 105°C



Units: mm  
[inch]

# IP69K Sensor Cable Straight M12 Connector

This drawing remains property of rheonics. It may be neither copied nor informed to third persons or competitors without our approval. ( 2 paragraph 1 fig.7 copyright act of 9th Sept. 1965)



Protected by US and International patents granted and pending

rheonics • Switzerland • USA • www.rheonics.com • info@rheonics.com +41 52 511 32 00 +1 713 364 5427

Release: 2402