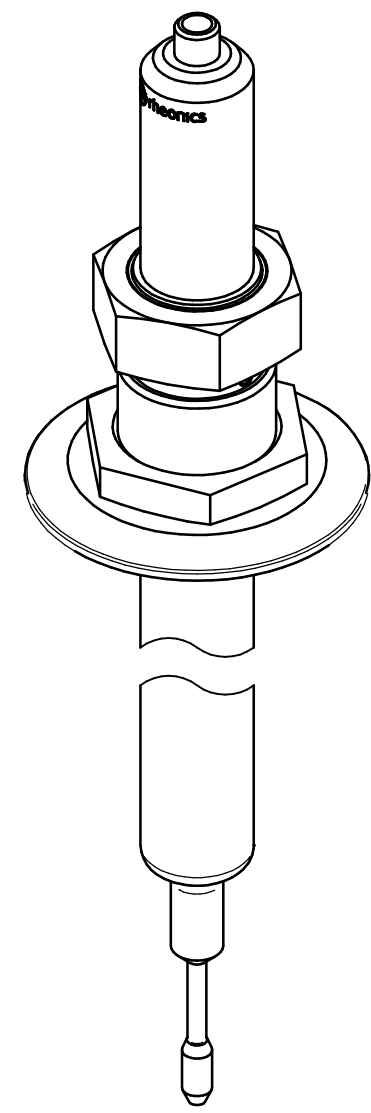
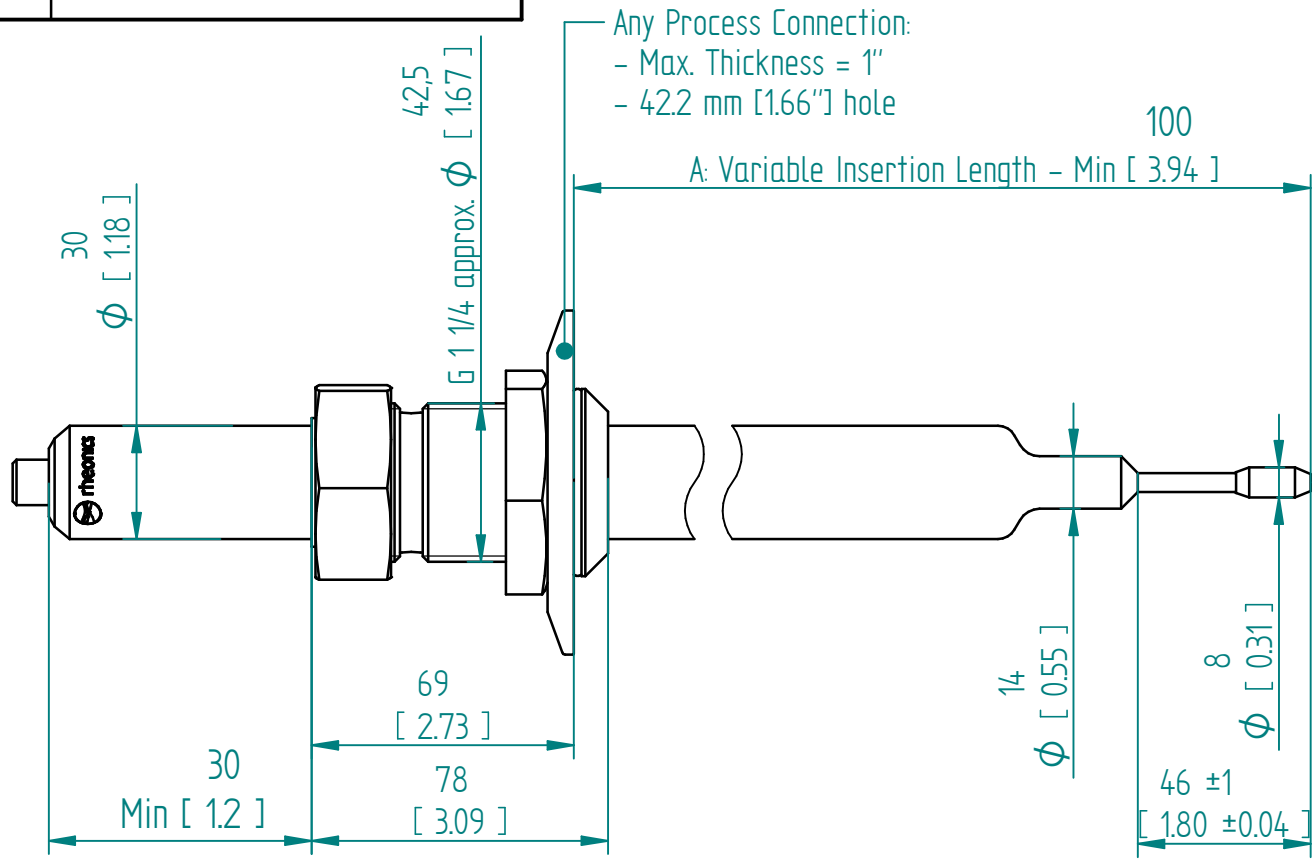


Type	APC-Adjustable Process Connector
Pressure rating	Ambient Pressure
Flange type	Any bigger than 3" (DN75)
Insertion depth	Any along the probe shaft
Sensor code	SRV-HS-X5



Units: mm [inch]

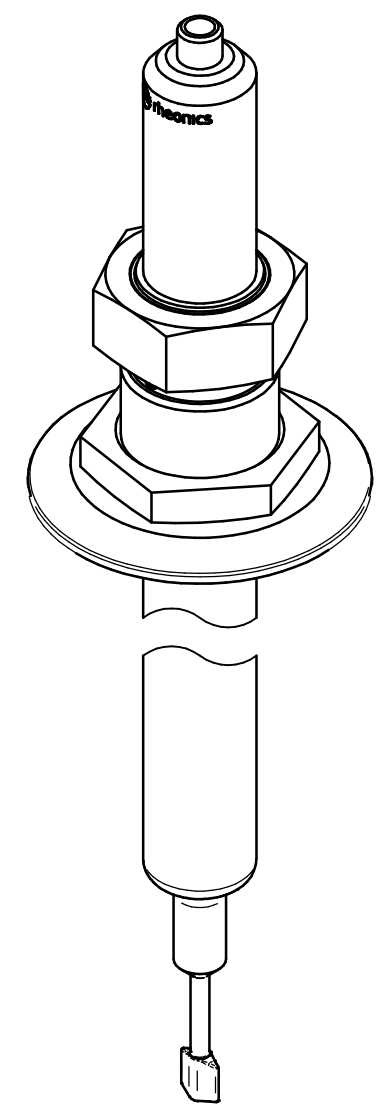
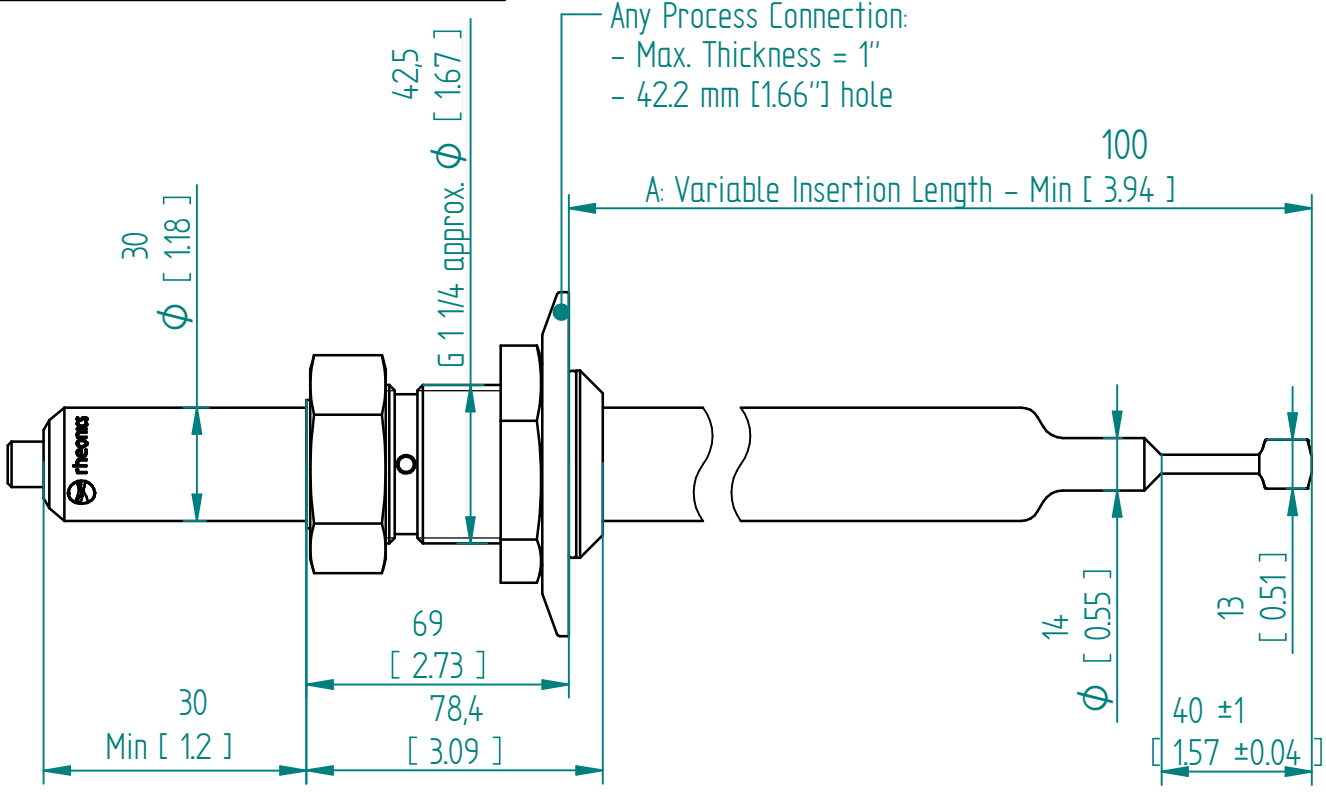
Rheonics APC SRV-HS-X5

This drawing remains property of rheonics. It may be neither copied nor informed to third persons or competitors without our approval. (2 paragraph 1 fig.7 copyright act of 9th Sept. 1965)



Protected by US and International patents granted and pending

Type	APC-Adjustable Process Connector
Pressure rating	Ambient Pressure
Flange type	Any bigger than 3" (DN75)
Insertion depth	Any along the probe shaft
Sensor code	SRD-HS-X5



Units: mm
[inch]

Rheonics APC SRD-HS-X5

This drawing remains property of rheonics. It may be neither copied nor informed to third persons or competitors without our approval. (2 paragraph 1 fig.7 copyright act of 9th Sept. 1965)



Protected by US and International patents granted and pending