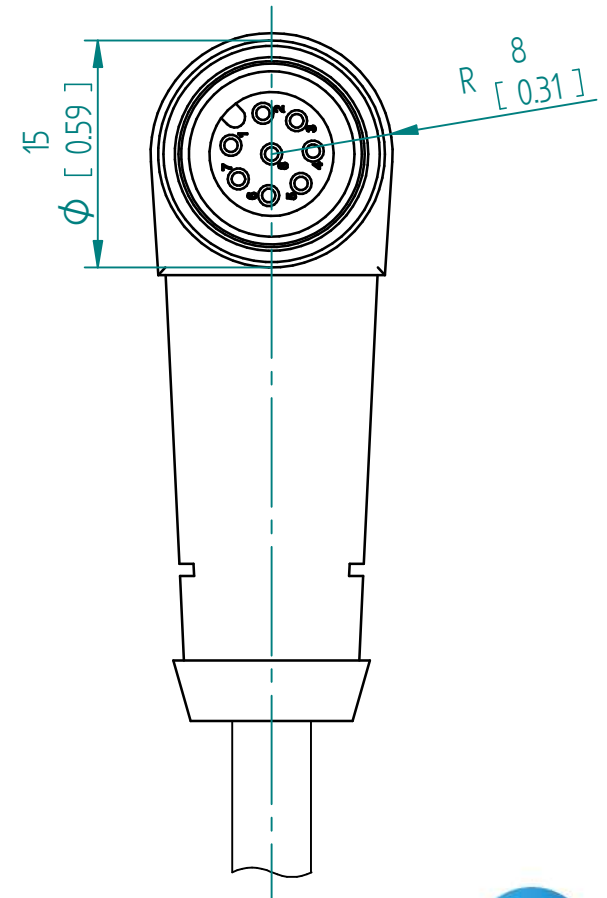


Specifications	
Sheath material	PUR
IP Rating	IP68
Temperature Range	-30°C to 90°C



Units: mm
[inch]

Standard Sensor Cable 90° Angled M12 Connector

This drawing remains property of rheonics. It may be neither copied nor informed to third persons or competitors without our approval. (2 paragraph 1 fig.7 copyright act of 9th Sept. 1965)



Protected by US and International patents granted and pending

rheonics • Switzerland • USA • www.rheonics.com • info@rheonics.com +41 52 511 32 00 +1 713 364 5427

Release: 2401