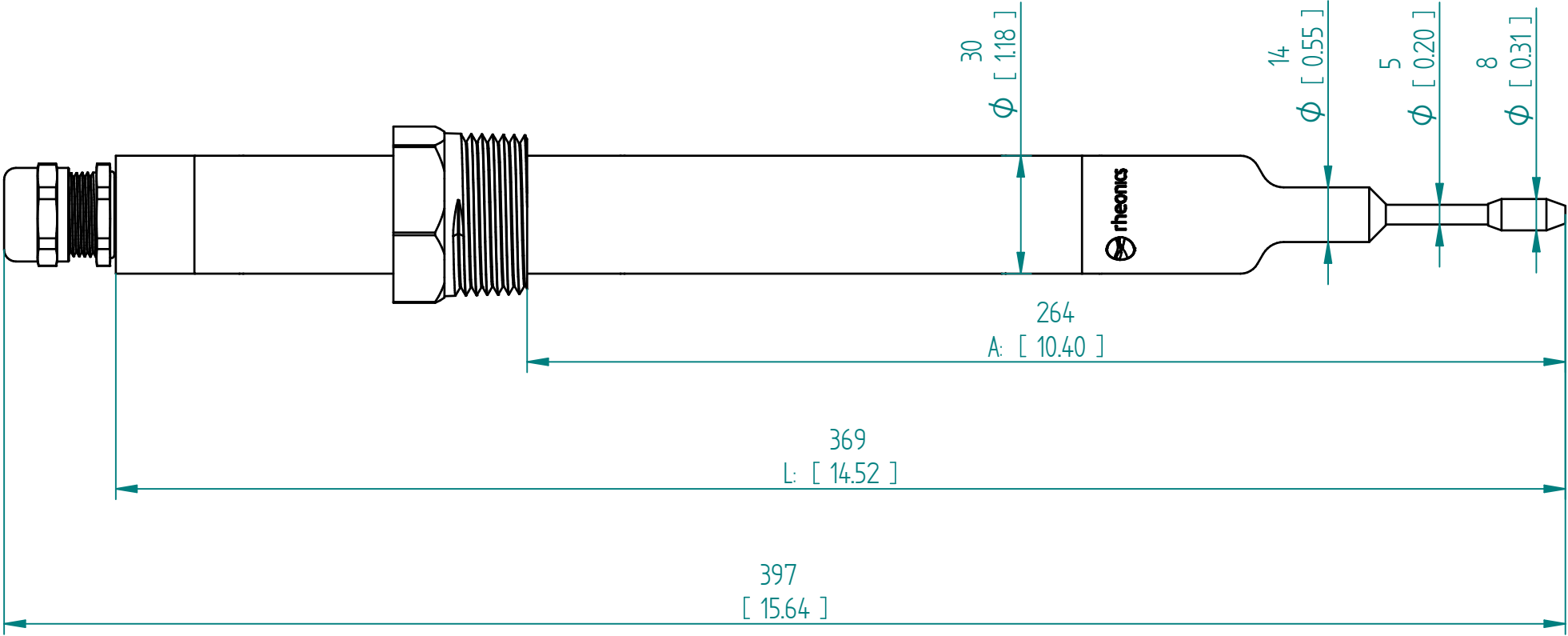


Pressure-Rating of the sensor probe	As specified in order confirmation
Material	316L
Process connection	NPT 1.25"
Order Code	SRV-TT-L369-A264-B1N25-CAB



Units: mm  
[inch]

**SRV-TT-L369-A264-B1N25-CAB**  
**SRV NPT 1.25"**

This drawing remains property of rheonics. It may be neither copied nor informed to third persons or competitors without our approval. ( 2 § paragraph 1 fig.7 copyright act of 9th Sept. 1965)



Protected by US and International patents granted and pending