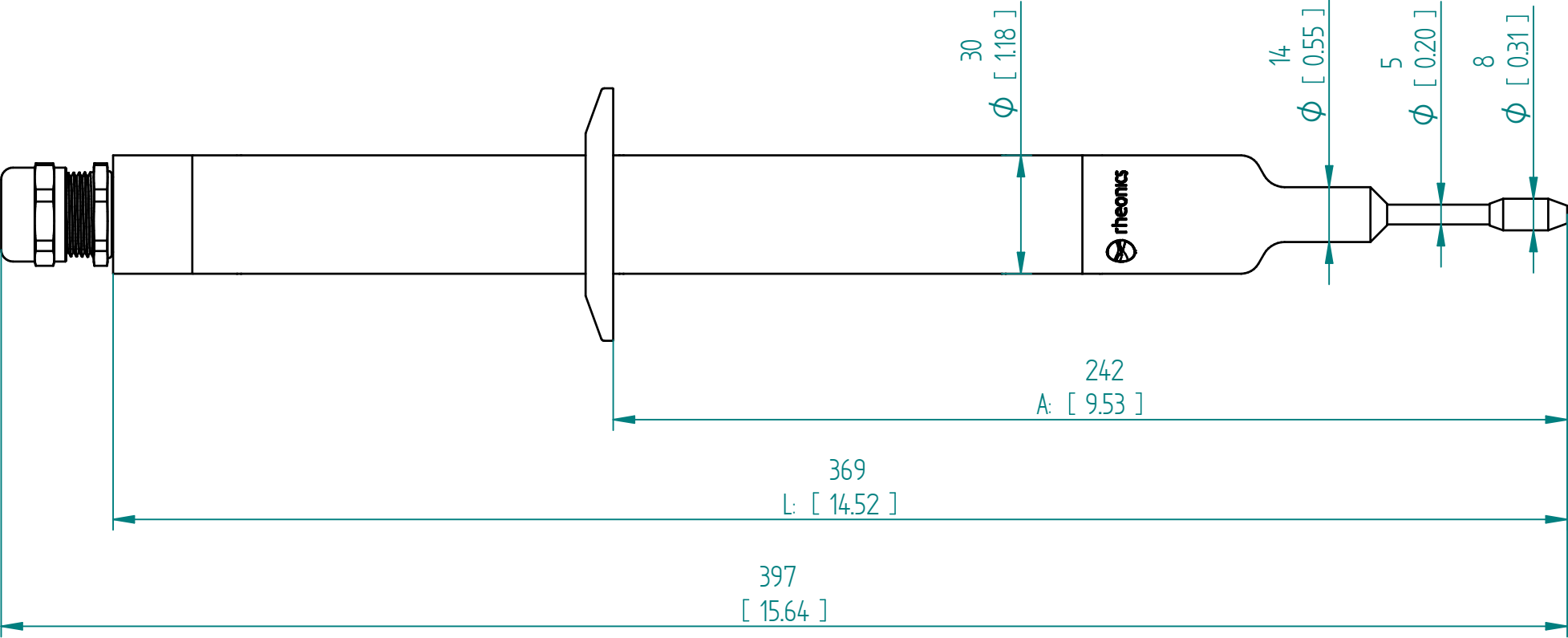


Pressure-Rating of the sensor probe	As specified in order confirmation
Material	316L
Process connection	Tri - Clamp 2" - D64
Order Code	SRV-TT-L369-A242-B20T-CAB



Units: mm
[inch]

SRV-TT-L369-A242-B20T-CAB
SRV Tri - Clamp 2" - D64

This drawing remains property of rheonics. It may be neither copied nor informed to third persons or competitors without our approval. (2 § paragraph 1 fig.7 copyright act of 9th Sept. 1965)



Protected by US and International patents granted and pending