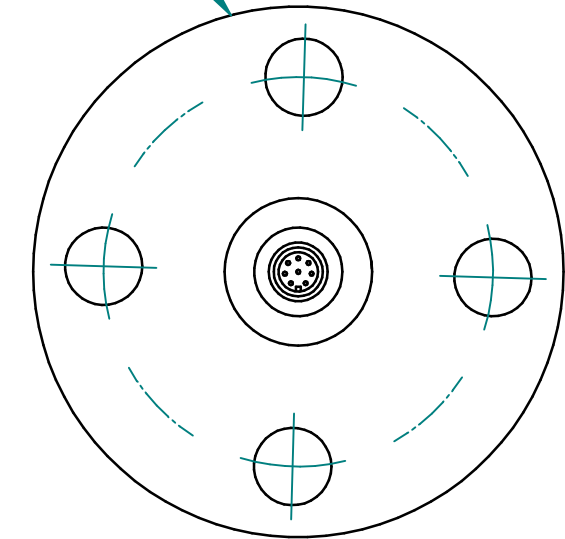


Rheonics SRV-HS-X5	
Max. Pressure	100 bar (1500 psi)
Material	316
Order Code	SRV-HS-X5-Axxx-Byyy
Hygienic Certificate Options	3-A, EHEDG



Hygienic certification for certain flanges or process connections

Units: mm
[inch]

SRV-HS-X5 Hygienic Long Probe SRV

This drawing remains property of rheonics. It may be neither copied nor informed to third persons or competitors without our approval. (2 paragraph 1 fig.7 copyright act of 9th Sept. 1965)

rheonics 

inline process
density and viscosity
monitoring

Protected by US and International patents granted and pending

rheonics • Switzerland • USA • www.rheonics.com • info@rheonics.com +41 52 511 32 00 +1 713 364 5427

Release: 2402