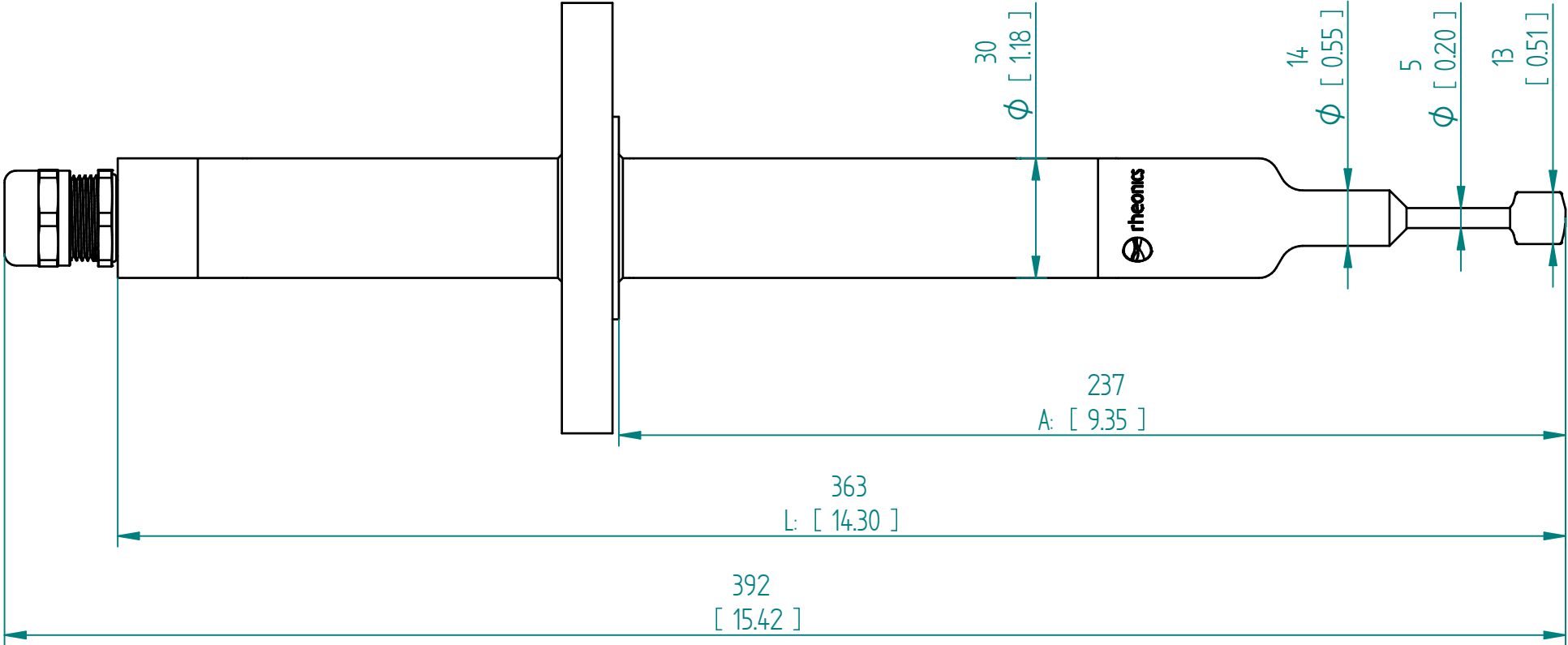


Pressure-Rating of the sensor probe	As specified in order confirmation
Material	316L
Process connection	Flange B16.5 - 2"
Order Code	SRD-TT-L363-A237-BA20A-CAB



Units: mm
[inch]

SRD-TT-L363-A237-BA20A-CAB
SRD Flange B16.5 - 2"

This drawing remains property of rheonics. It may be neither copied nor informed to third persons or competitors without our approval. (2 § paragraph 1 fig.7 copyright act of 9th Sept. 1965)



inline process
density and viscosity
monitoring

Protected by US and International patents granted and pending