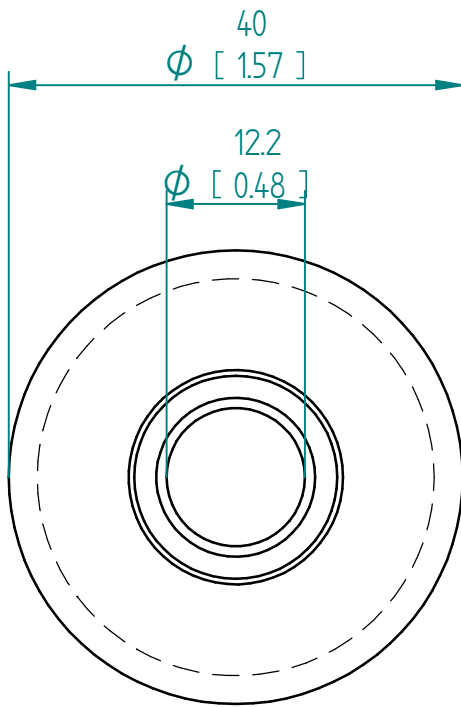
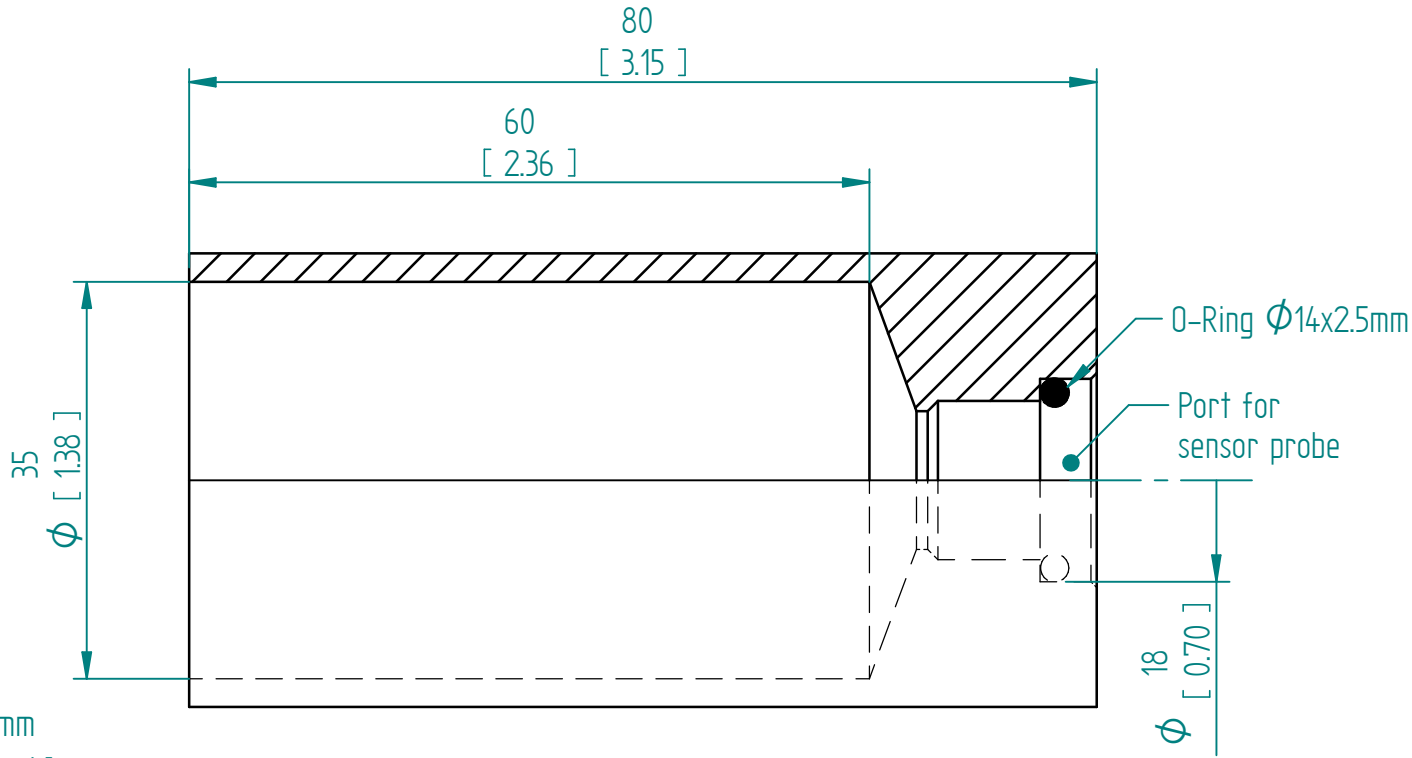
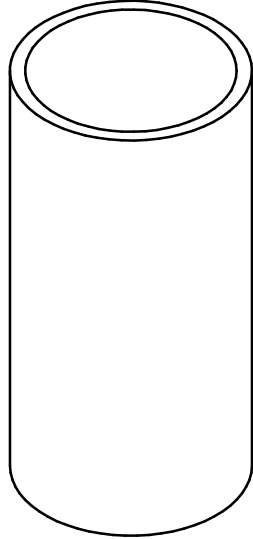


Material	PTFE
Max. Volume	58 ml
Description	Calibration cylinder for HS-SRD probe



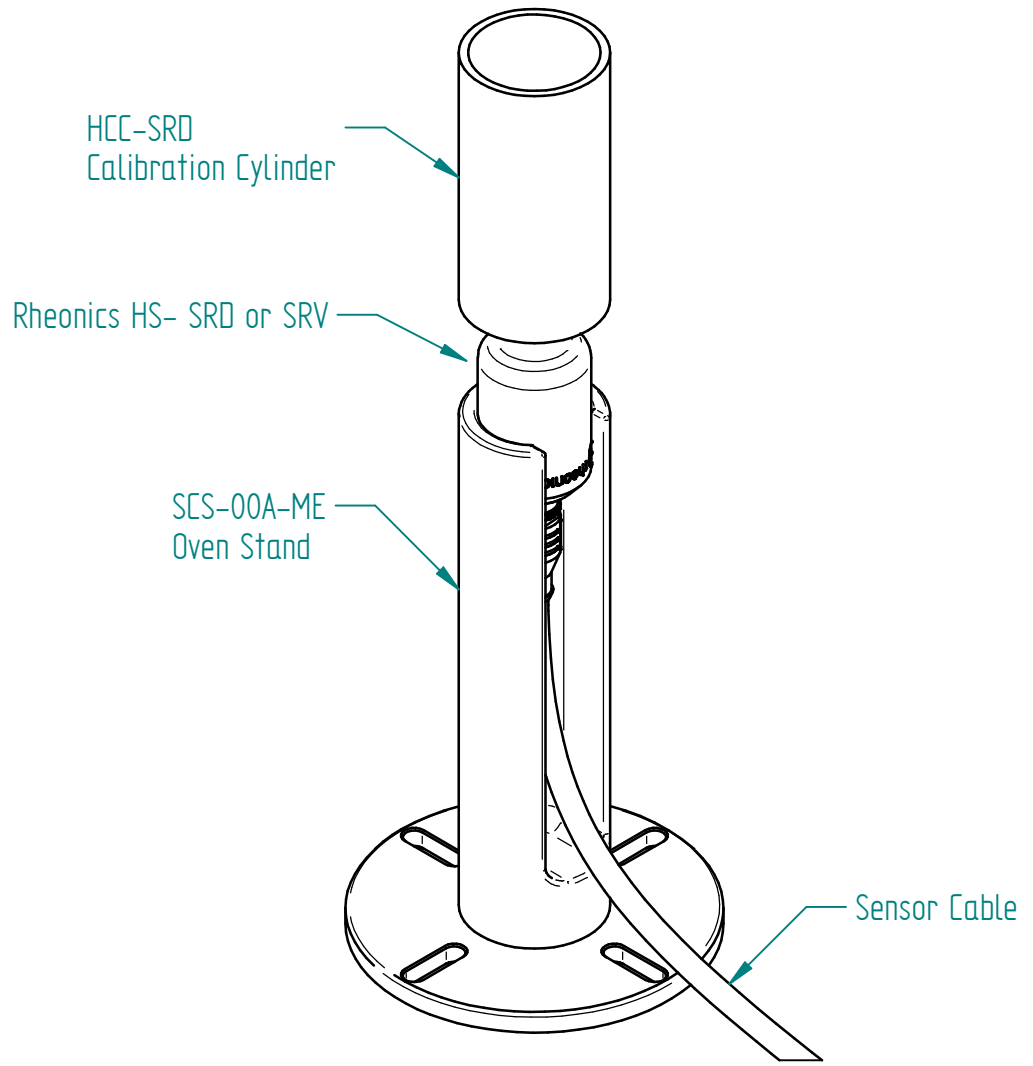
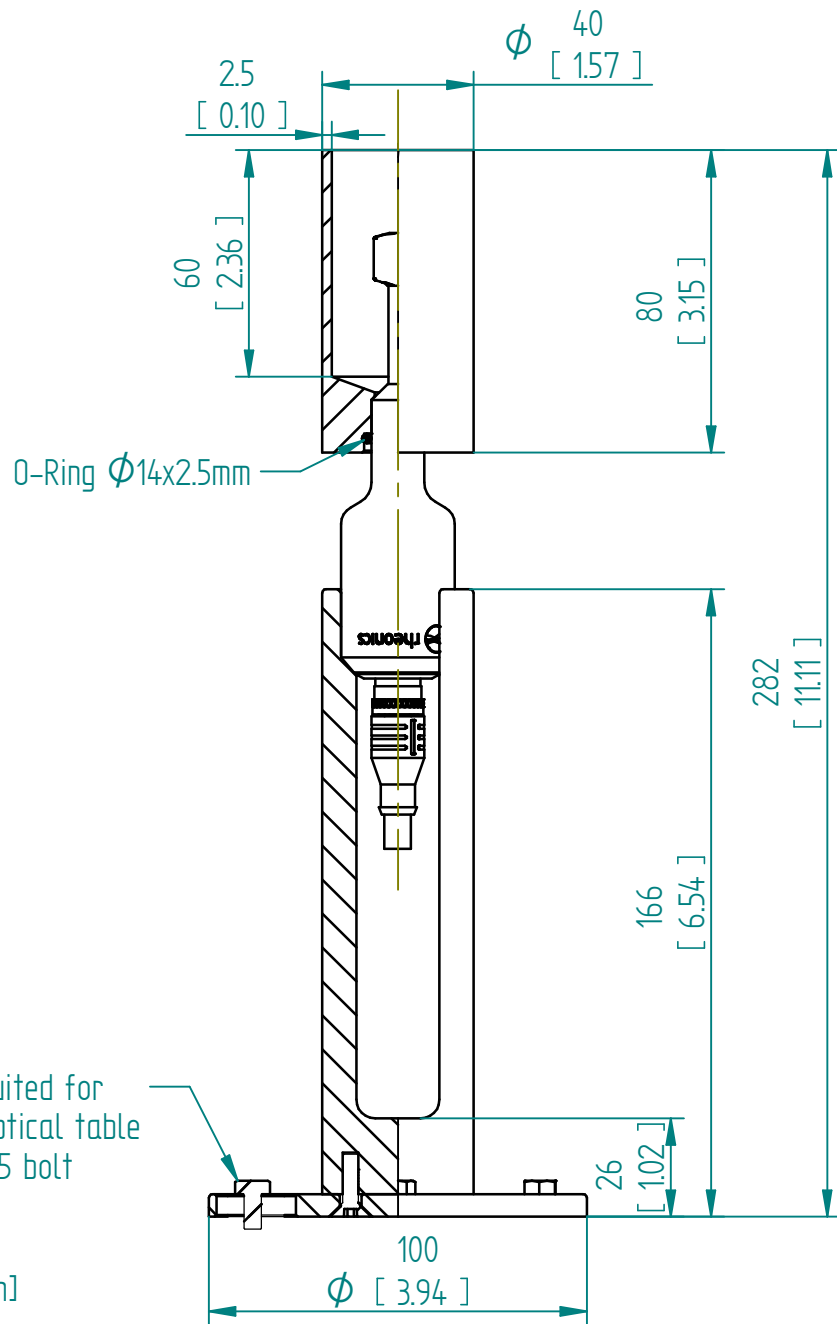
Units: mm [inch]

**HCC-SRD  
Calibration Cylinder for HS-SRD**

This drawing remains property of rheonics. It may be neither copied nor informed to third persons or competitors without our approval. ( 2 paragraph 1 fig.7 copyright act of 9th Sept. 1965)



Protected by US and International patents granted and pending



Units: mm  
[inch]

# Sensor Probe Laboratory Setup

This drawing remains property of rheonics. It may be neither copied nor informed to third persons or competitors without our approval. ( 2 paragraph 1 fig.7 copyright act of 9th Sept. 1965)



Protected by US and International patents granted and pending