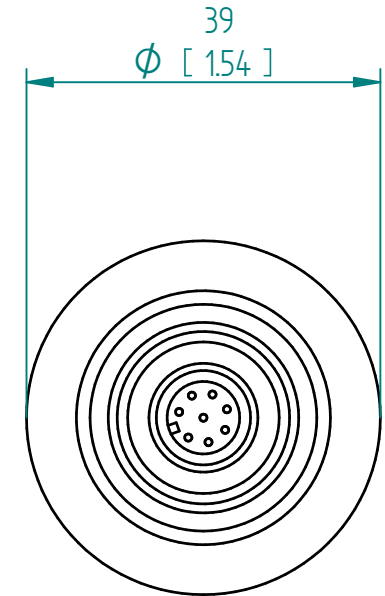
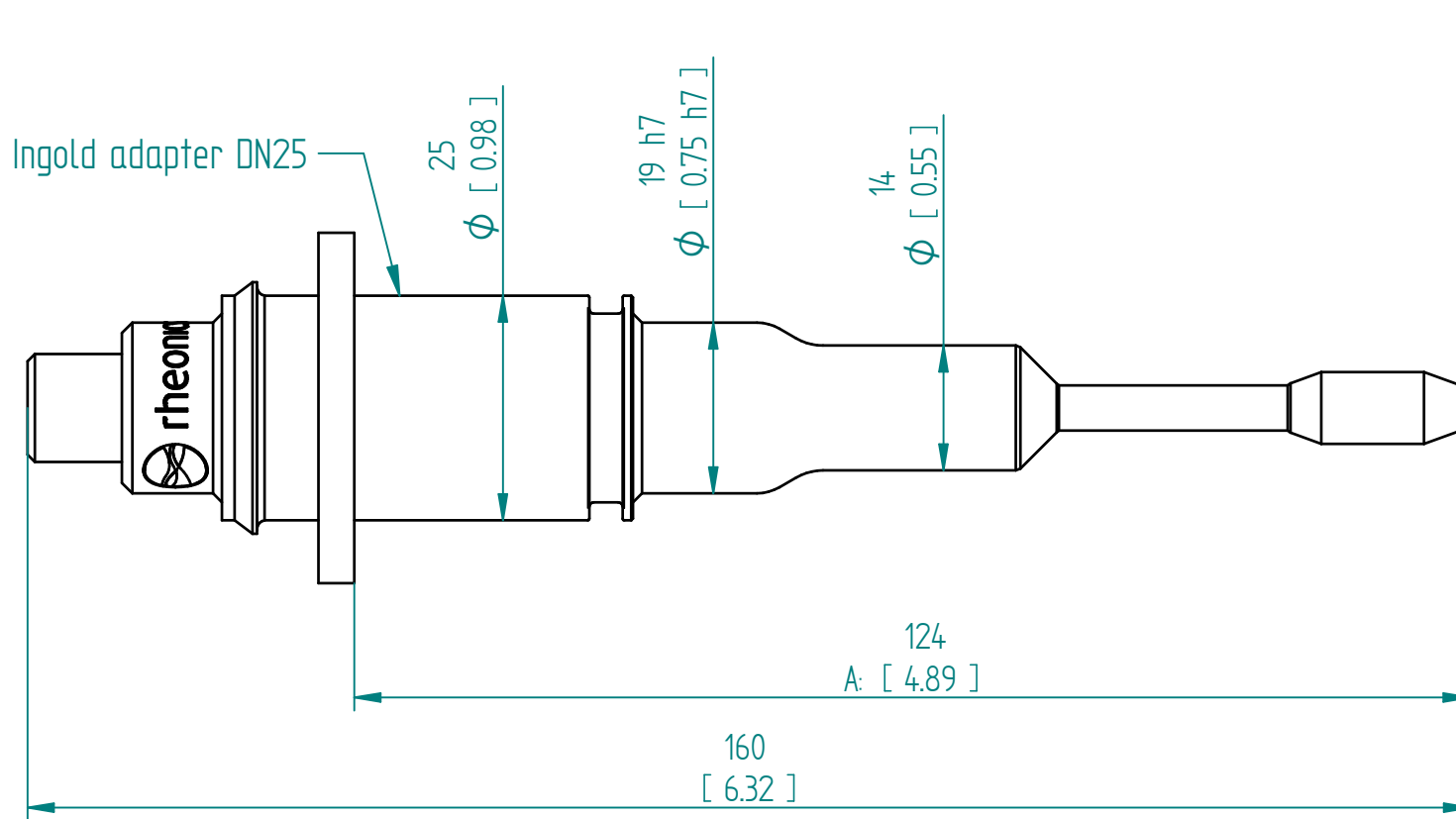


SLP	SRV-SLP-A124-BI25	
A	Insertion Depth	124 mm
B	Connection	Ingold
	Size	DN25

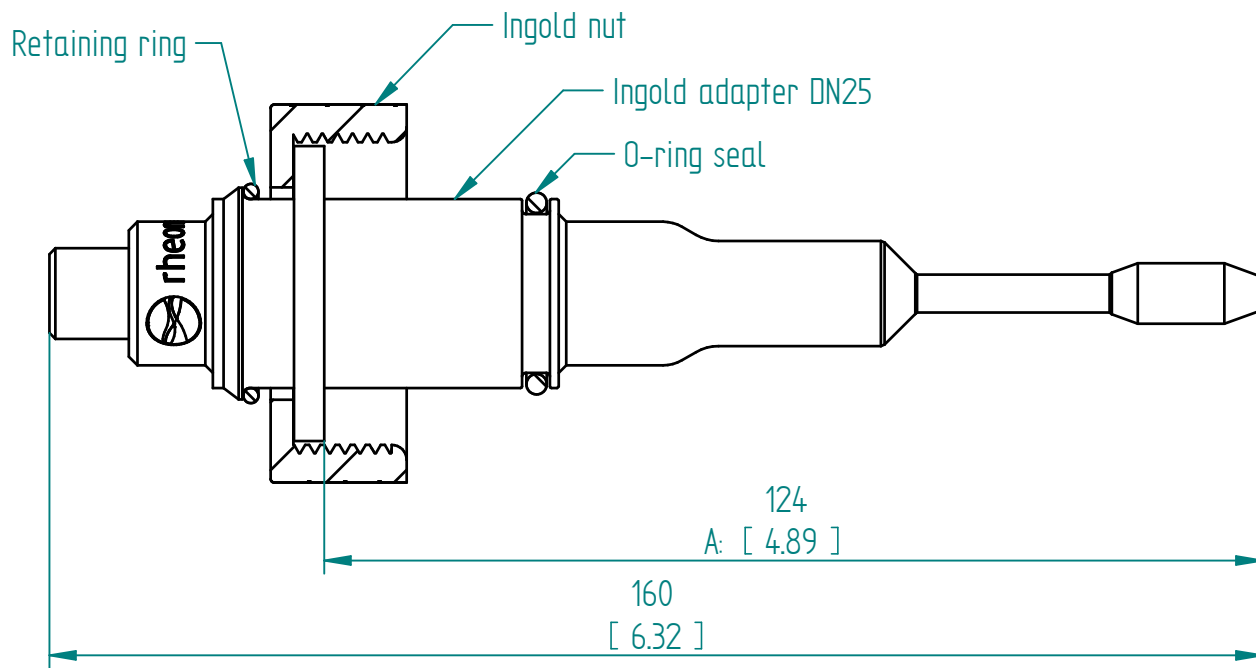


Units: mm  
[inch]

## SRV-SLP-A124-BI25 Ingold DN25

This drawing remains property of rheonics. It may be neither copied nor informed to third persons or competitors without our approval. ( 2 paragraph 1 fig.7 copyright act of 9th Sept. 1965)

SLP	SRV-SLP-A124-BI25	
A	Insertion Depth	124 mm
B	Connection	Ingold
	Size	DN25



Units: mm  
[inch]

## SRV-SLP-A124-BI25 Ingold DN25

This drawing remains property of rheonics. It may be neither copied nor informed to third persons or competitors without our approval. ( 2 paragraph 1 fig.7 copyright act of 9th Sept. 1965)



rheonics

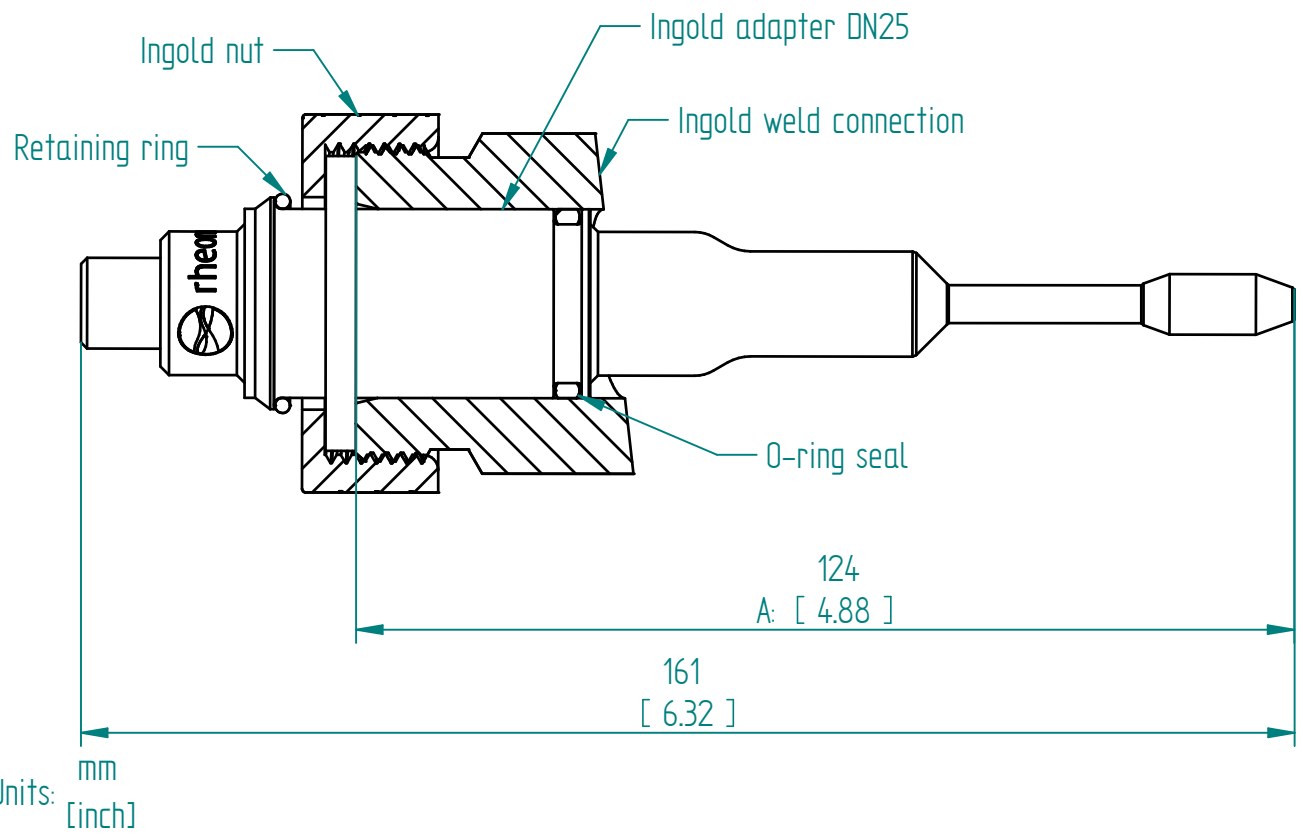
inline process  
density and viscosity  
monitoring

Protected by US and International patents granted and pending

rheonics • Switzerland • USA • www.rheonics.com • info@rheonics.com +41 52 511 32 00 +1 713 364 5427

Release: 2310

SLP	SRV-SLP-A124-BI25	
A	Insertion Depth	124 mm
B	Connection	Ingold
	Size	DN25



**SRV-SLP-A124-BI25**  
**Ingold DN25**

This drawing remains property of rheonics. It may be neither copied nor informed to third persons or competitors without our approval. ( 2 paragraph 1 fig.7 copyright act of 9th Sept. 1965)

Protected by US and International patents granted and pending