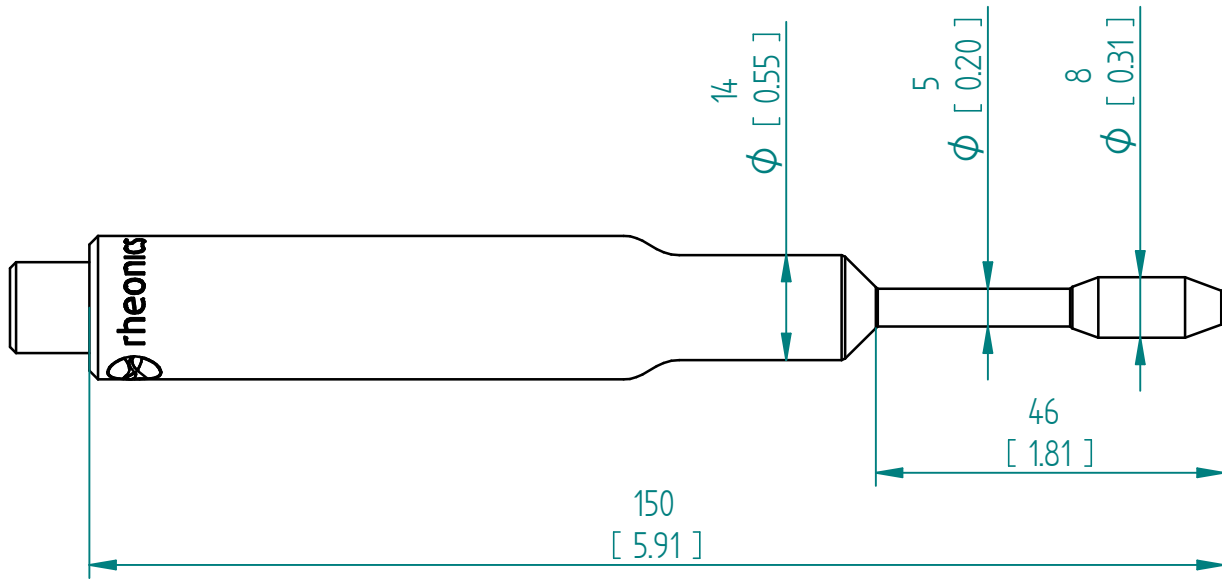


Rheonics SRV-RP150	
Material	316L
Connection Process	Custom Compression Fitting



Units: mm
[inch]

SRV-RP150 Reactor Probe

This drawing remains property of rheonics. It may be neither copied nor informed to third persons or competitors without our approval. (2 paragraph 1 fig.7 copyright act of 9th Sept. 1965)



Protected by US and International patents granted and pending