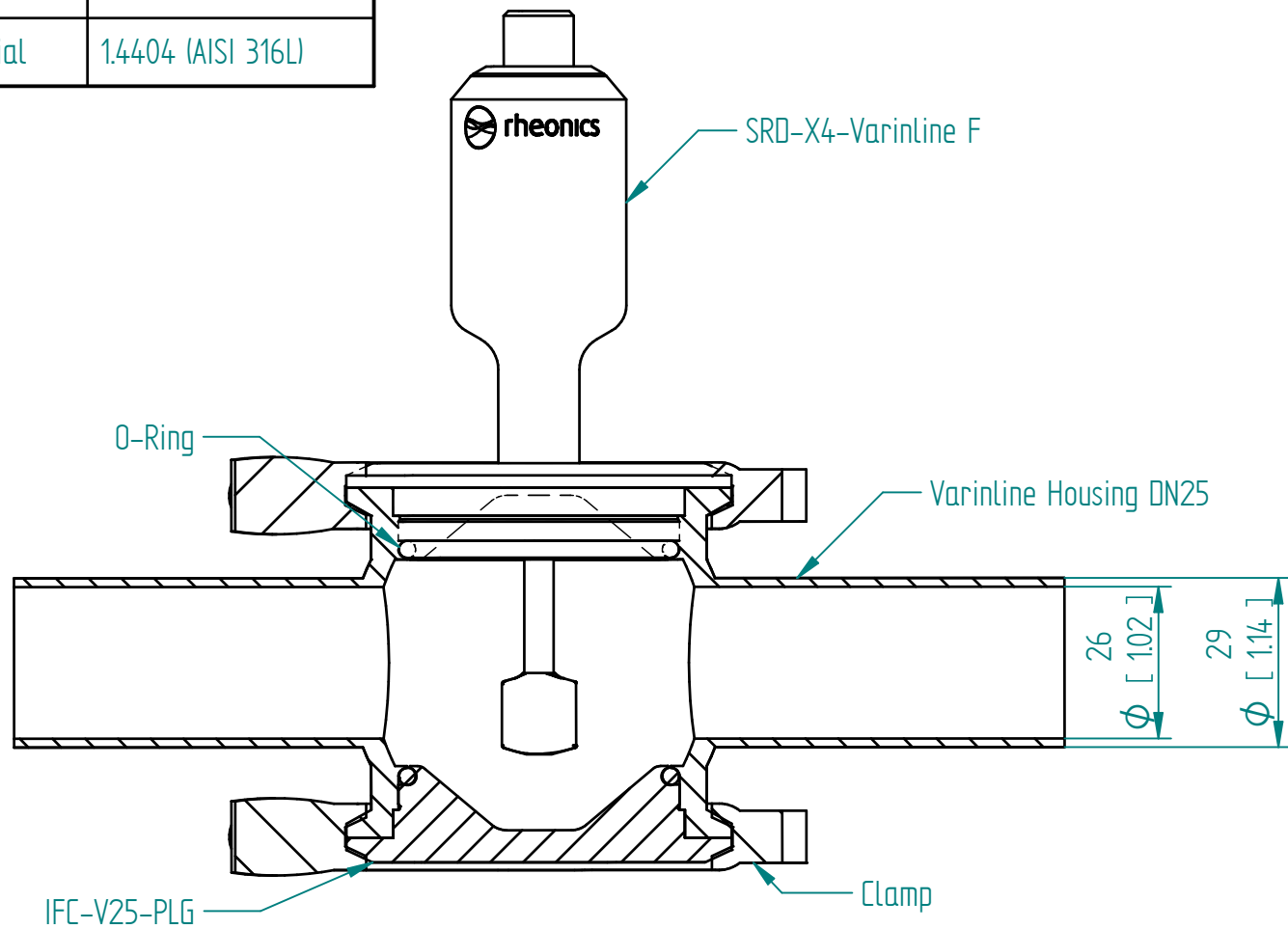
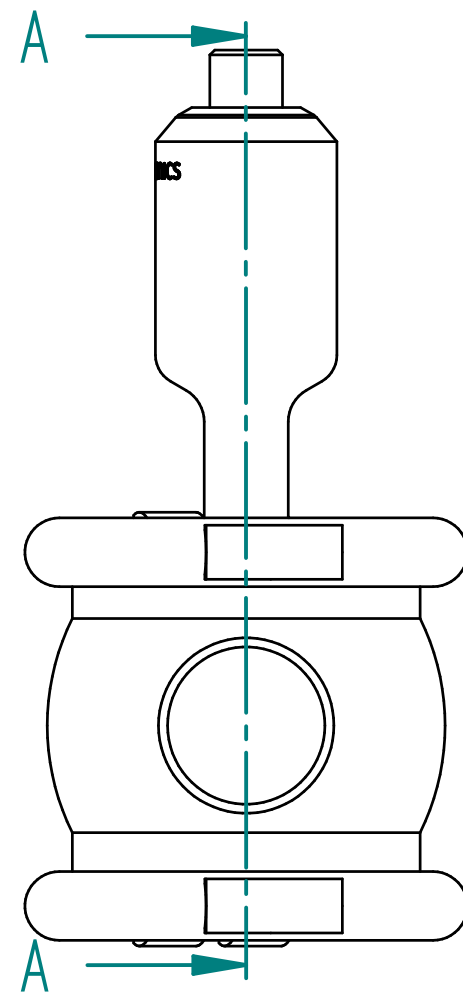


Inline installation

Sensor	SRD-X4-Varinline F
Housing	Varinline DN 25
Housing material	1.4404 (AISI 316L)



Section A-A



Units: mm  
[inch]

SRD-X4 Varinline F DN25  
IFC-V25

This drawing remains property of rheonics. It may be neither copied nor informed to third persons or competitors without our approval. ( 2 paragraph 1 fig.7 copyright act of 9th Sept. 1965)



Protected by US and International patents granted and pending