

Rheonics SRV-SLP	
Max. Pressure	500 bar (7500 psi)
Material	316L
Order Code	SRV-SLP-Ayyy-Bzzz

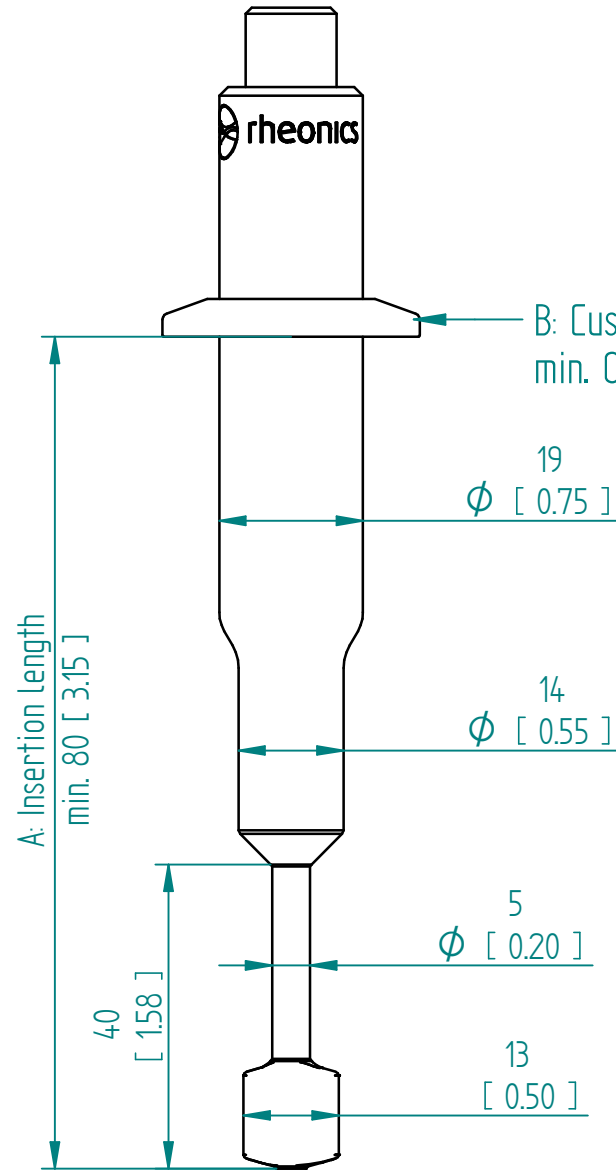
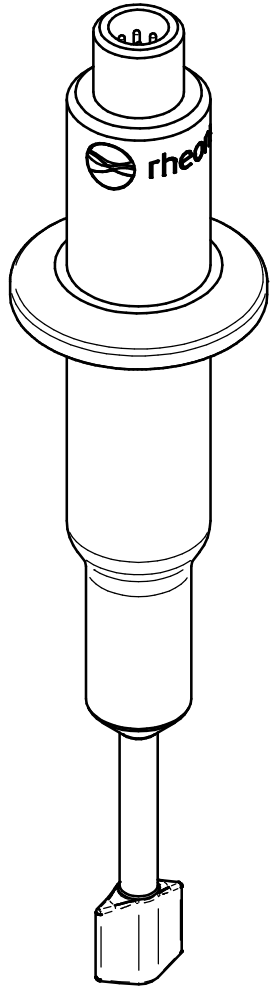
Units: mm
[inch]

SRV-SLP Slimline Probe SRV

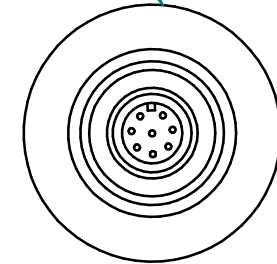
This drawing remains property of rheonics. It may be neither copied nor informed to third persons or competitors without our approval. (2 paragraph 1 fig.7 copyright act of 9th Sept. 1965)



Protected by US and International patents granted and pending



Rheonics SRD-SLP	
Max. Pressure	500 bar (7500 psi)
Material	316L
Order Code	SRD-SLP-Ayyy-Bzzz



Units: mm
[inch]

SRD-SLP Slimline Probe SRD

This drawing remains property of rheonics. It may be neither copied nor informed to third persons or competitors without our approval. (2 paragraph 1 fig.7 copyright act of 9th Sept. 1965)



inline process
density and viscosity
monitoring

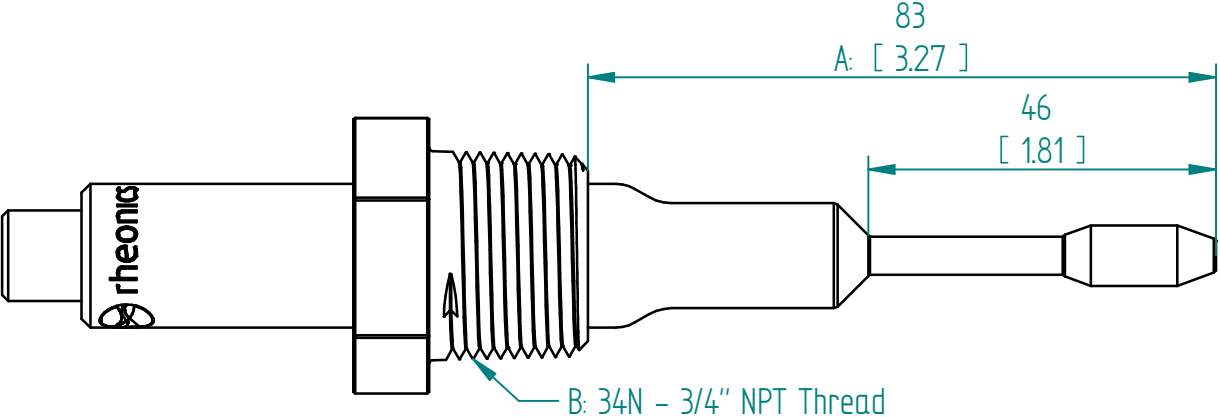
Protected by US and International patents granted and pending

rheonics • Switzerland • USA • www.rheonics.com • info@rheonics.com +41 52 511 32 00 +1 713 364 5427

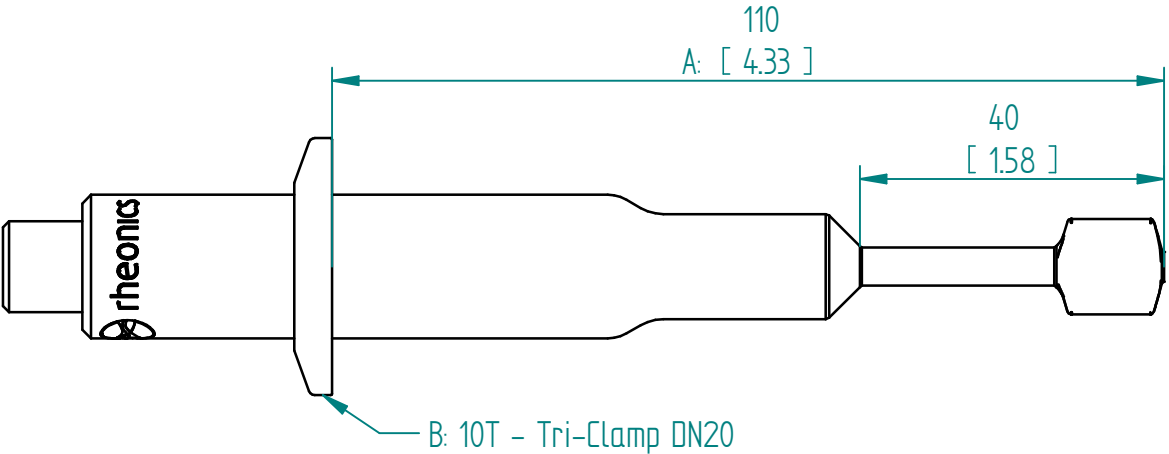
Release: 2310 Preliminary release - only for guidance

Slimline Probe (SLP) Order Code		
Rheonics SRx-SLP-Ayyy-Bzzz		
x: Sensor Type	Selected by customer	Rheonics SRV viscometer Rheonics SRD density meter and viscometer
yyy: Insertion Length	Defined by customer	Min. 80mm [3.15]
zzz: Connection Type	Defined by customer	Welded flange with min. OD 22mm

Client should specify sensor type, length variant and process connection required



SRV-SLP-A83-B34N
3/4"-14 NPT thread



SRD-SLP-A110-B10T
DN20 Tri-Clamp

Units: mm
[inch]

SR-Sensor SLP Configuration options

This drawing remains property of rheonics. It may be neither copied nor informed to third persons or competitors without our approval. (2 paragraph 1 fig.7 copyright act of 9th Sept. 1965)

Protected by US and International patents granted and pending

