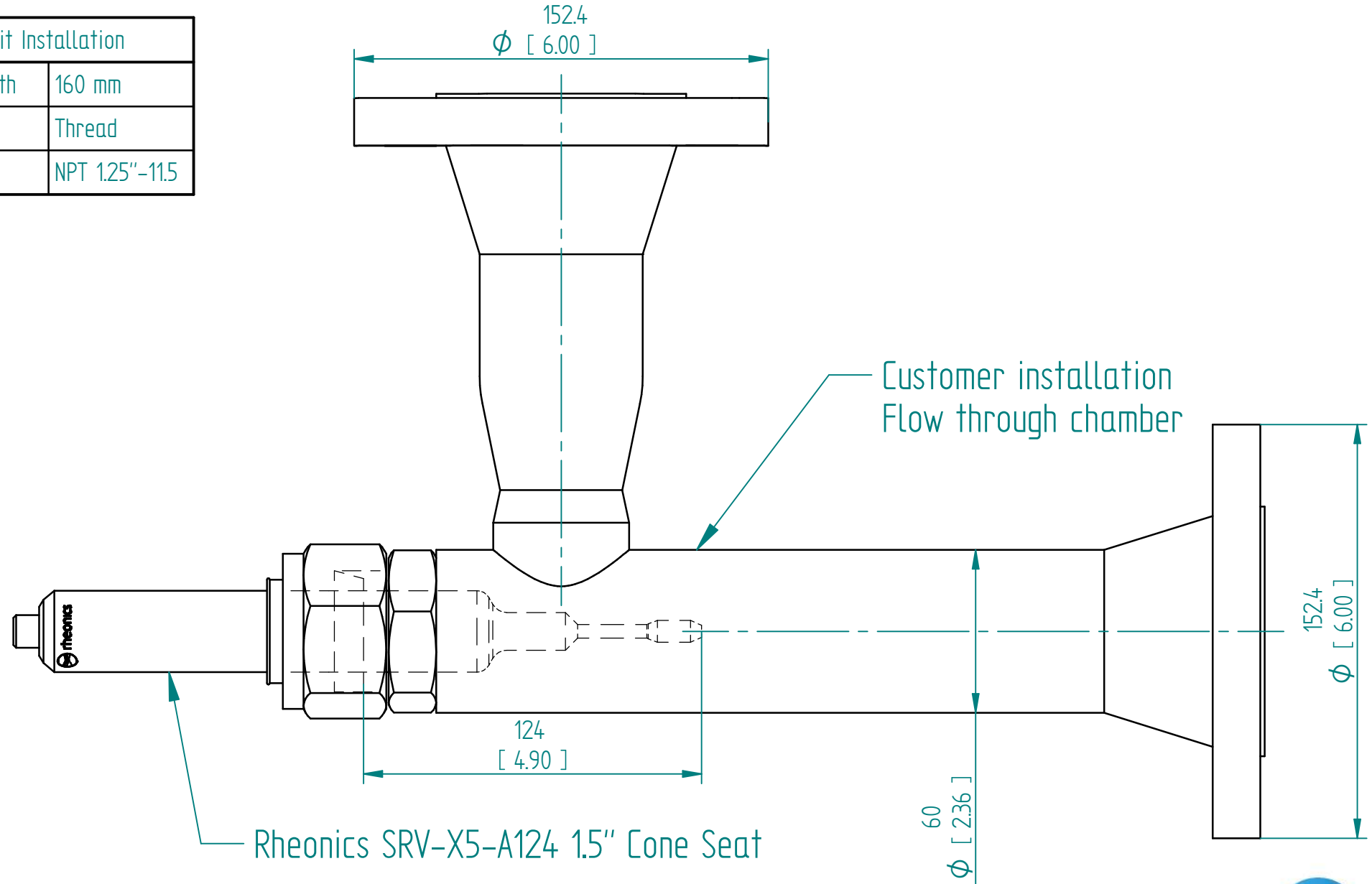


| | | |
|----|-----------------------|----------------|
| X5 | Retrofit Installation | |
| A | Insertion Depth | 160 mm |
| B | Connection | Thread |
| | Type | NPT 1.25"-11.5 |



Units: mm
[inch]

**SRV-X5-A124 1.5" Swagelok
Flow through chamber retrofit**

This drawing remains property of rheonics. It may be neither copied nor informed to third persons or competitors without our approval. (2 paragraph 1 fig.7 copyright act of 9th Sept. 1965)



Protected by US and International patents granted and pending