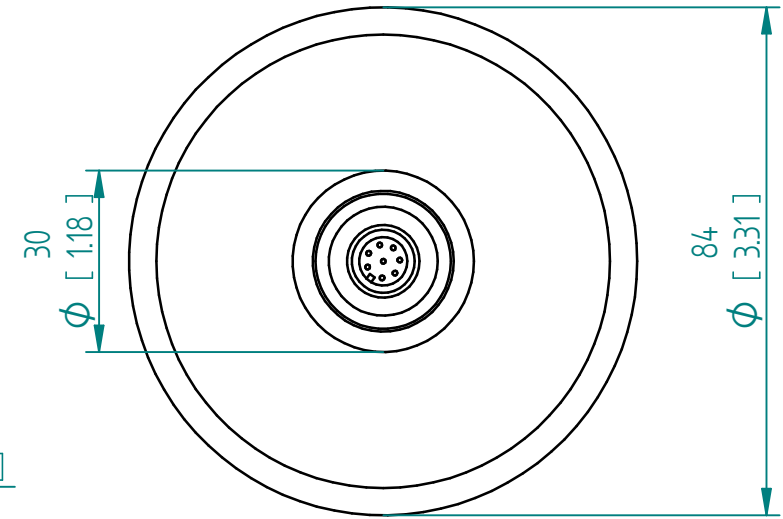
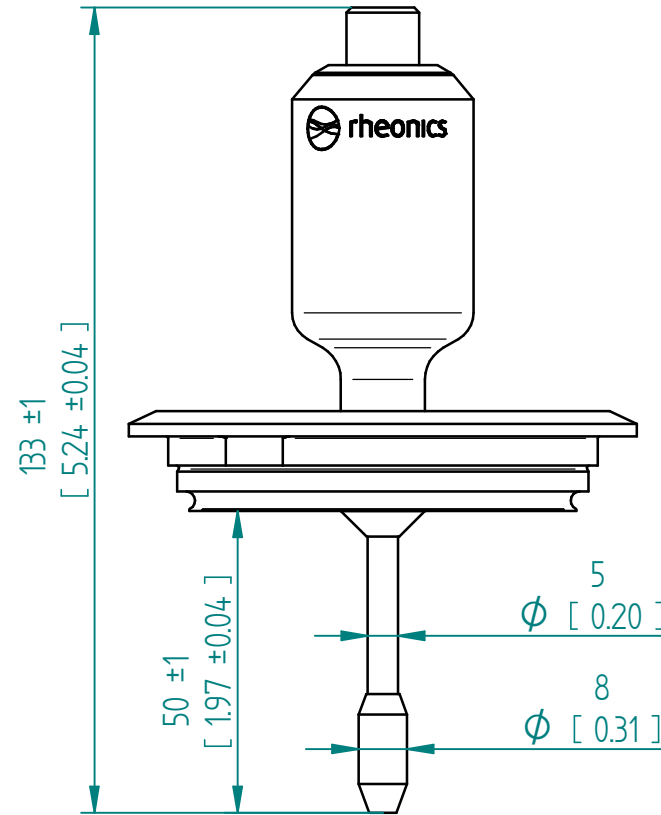
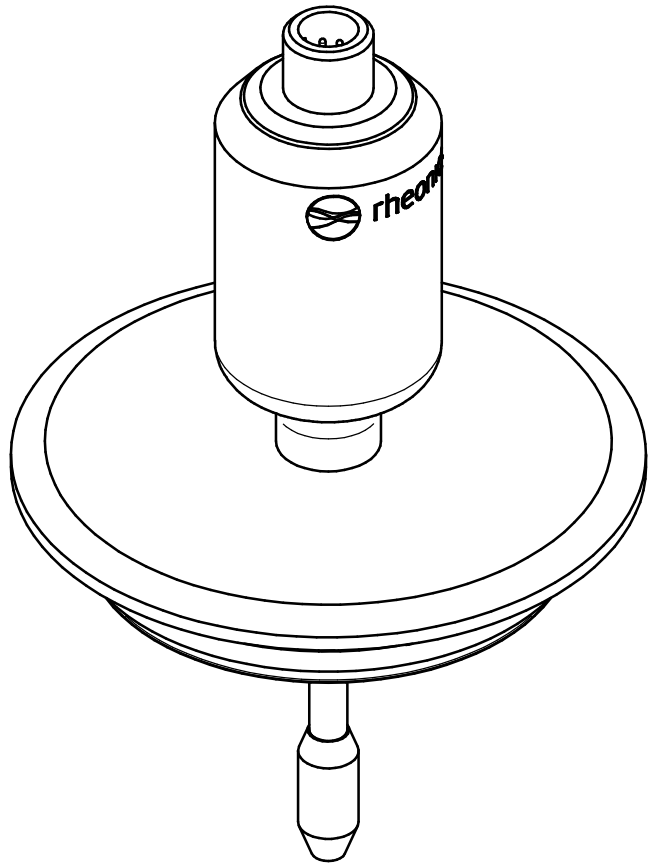


Max. available Pressure rating	500 bar (7500 psi)
Material	316L
Process connection	Varinline N
Order Code	SRV-X4-Varinline N



Units: mm
[inch]



inline process
density and viscosity
monitoring

SRV-X4-Varinline N

This drawing remains property of rheonics. It may be neither copied nor informed to third persons or competitors without our approval. (2 paragraph 1 fig.7 copyright act of 9th Sept. 1965)

Protected by US and International patents granted and pending