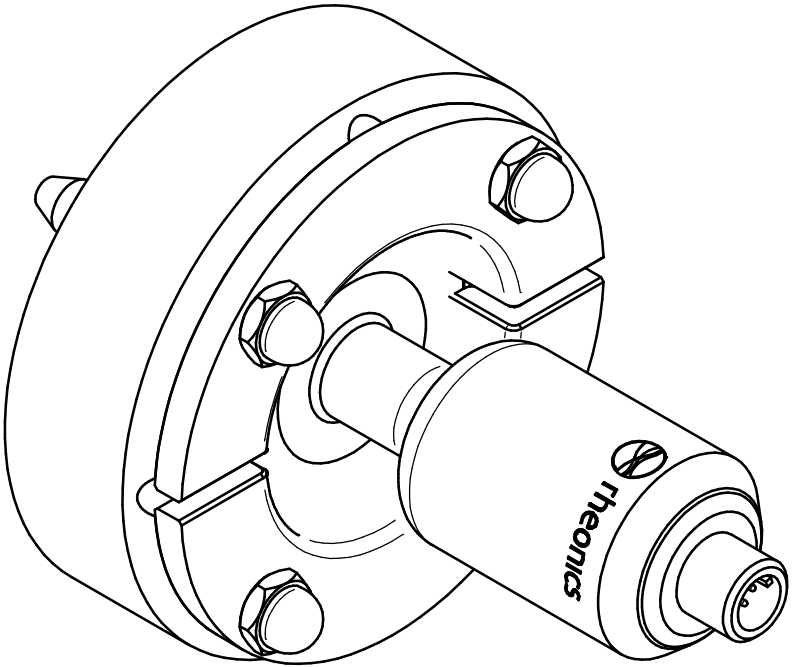
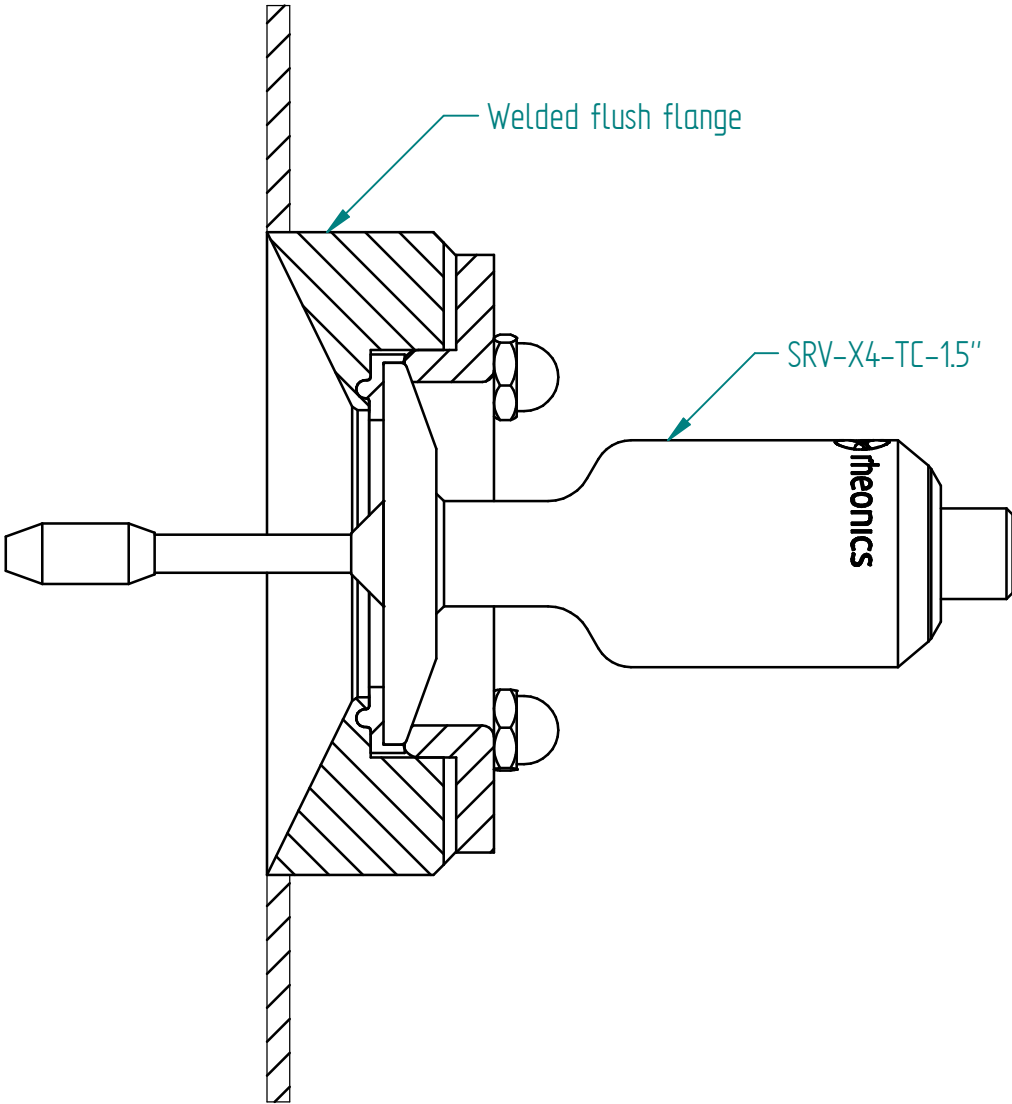


SRV Flush Hygienic Installation

Part description	Vendor	Part code
SRV flush viscometer	Rheonics	SRV-X4-TC-1.5"
Welded flush flange	Burkert	BBS-07-ZT.Z40.64- A025.35.0



Units: mm  
[inch]

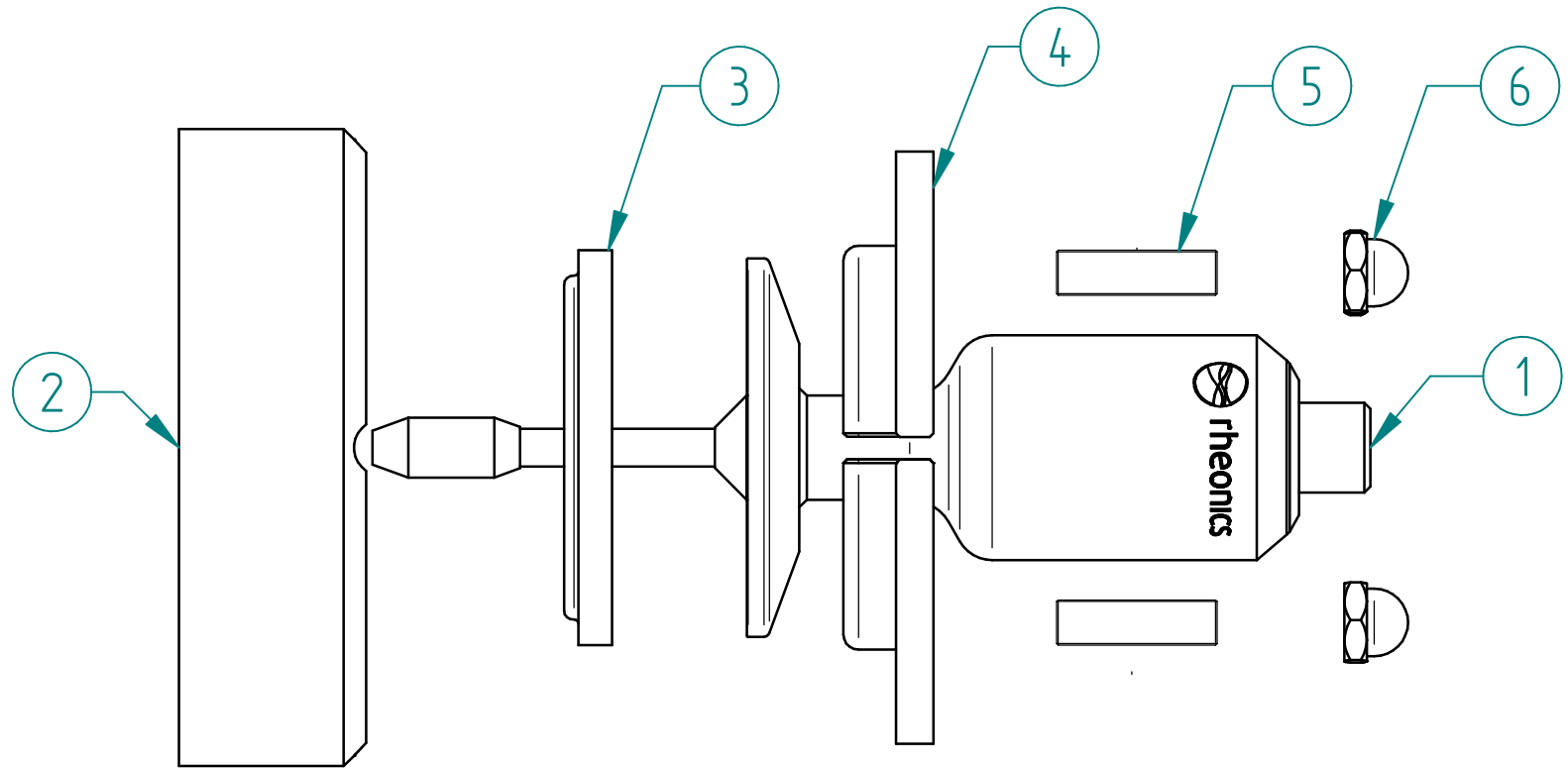
**SRV-X4-TC-1.5"**  
**Flush Hygienic Installation**

No warranty is made for the correctness of the third party drawings. Dimensions are adapted from publically available drawings. Customer should check and confirm that the retrofit sensor has the dimensions and flange specifications for a correct installation in their existing location.  
This drawing remains property of rheonics. It may be neither copied nor informed to third persons or competitors without our approval. ( 2 paragraph 1 fig.7 copyright act of 9th Sept. 1965)

Protected by US and International patents granted and pending



SRV Flush Hygienic Installation	
Part number	Part description
1	SRV-X4-TC-1.5"
2	Welded flush flange
3	Tri-Clamp seal
4	Grooved flange x2
5	Bolt x4
6	Hygienic bolts x4



Units:   
 mm  
 [inch]

## SRV-X4-TC-1.5" Flush Hygienic Installation

No warranty is made for the correctness of the third party drawings. Dimensions are adapted from publically available drawings. Customer should check and confirm that the retrofit sensor has the dimensions and flange specifications for a correct installation in their existing location.

This drawing remains property of rheonics. It may be neither copied nor informed to third persons or competitors without our approval. ( 2 paragraph 1 fig.7 copyright act of 9th Sept. 1965)

**rheonics**   
inline process  
density and viscosity  
monitoring

Protected by US and International patents granted and pending

rheonics • Switzerland • USA • [www.rheonics.com](http://www.rheonics.com) • [info@rheonics.com](mailto:info@rheonics.com) +41 52 511 32 00 +1 713 364 5427

Release: 2305