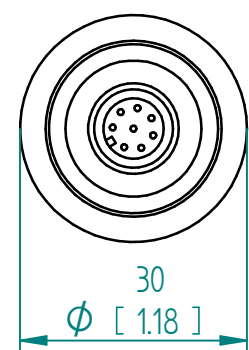
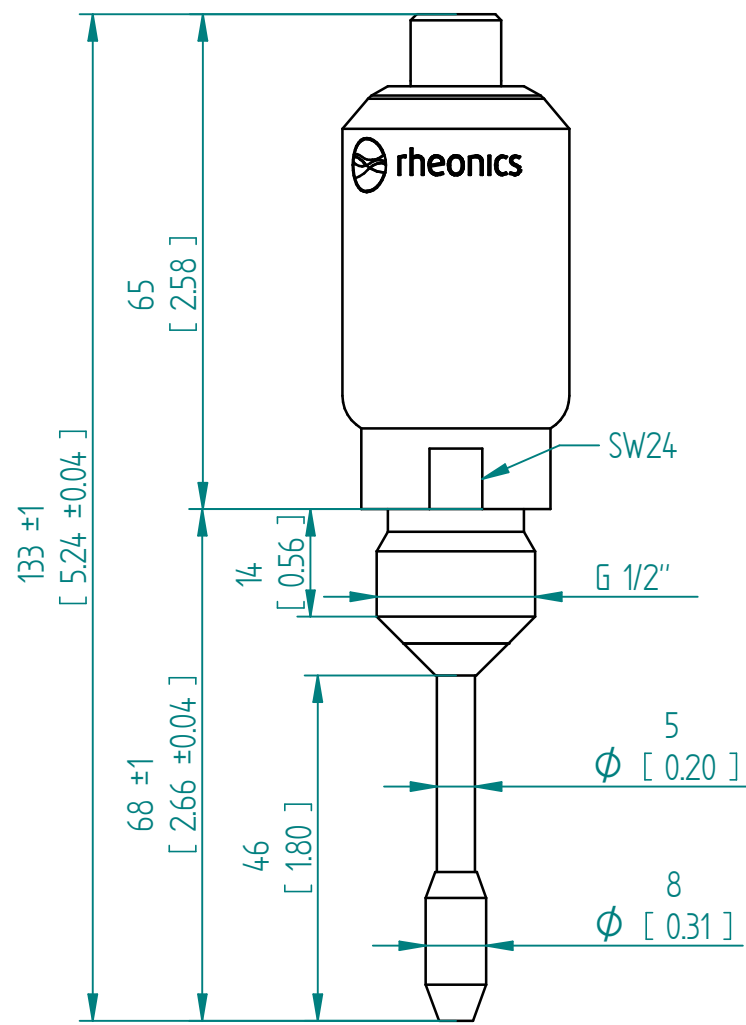
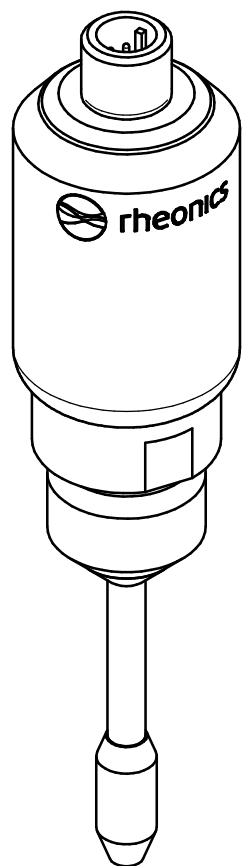


Max. available Pressure rating	500 bar (7500 psi)
Material	316L
Process connection	G 1/2"
Order Code	X1-12G



Units: mm
[inch]



SRV G 1/2"

This drawing remains property of rheonics. It may be neither copied nor informed to third persons or competitors without our approval. (2 § paragraph 1 fig.7 copyright act of 9th Sept. 1965)

Protected by US and International patents granted and pending