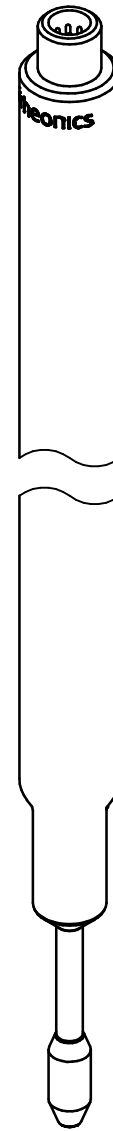
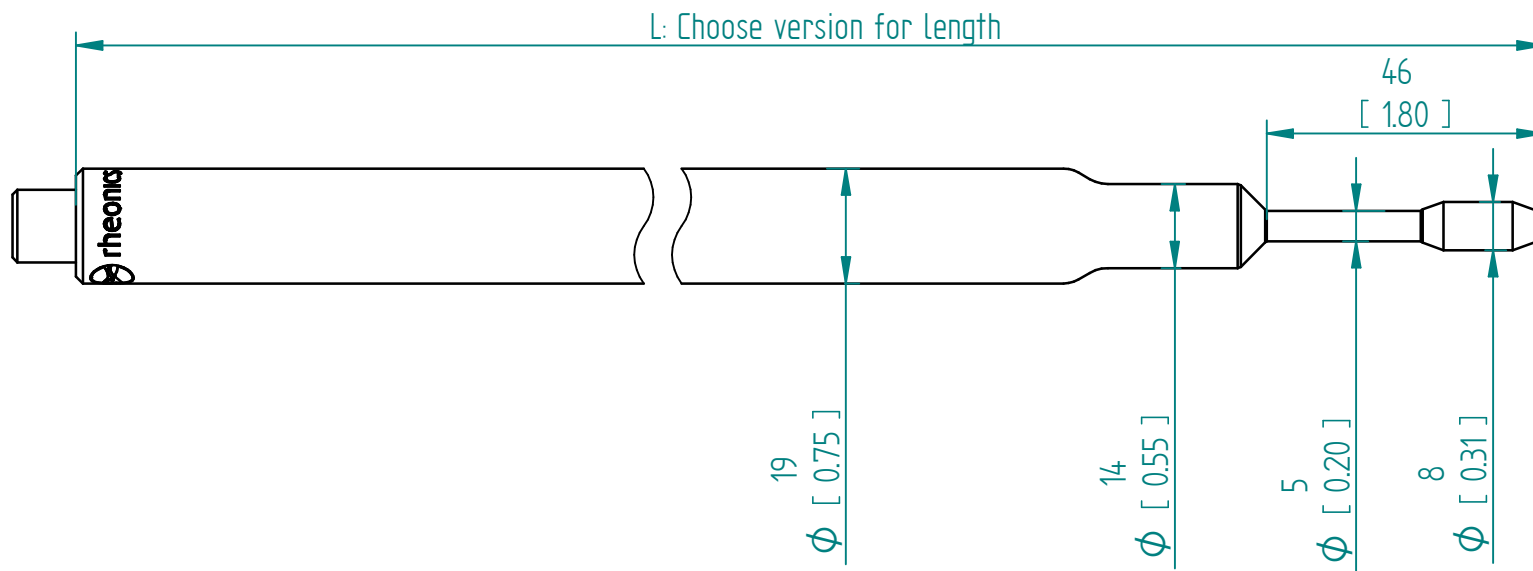


Rheonics SRV-RP	
Max. Pressure	500 bar (7500 psi)
Material	316L
Order Code	Length
SRV-RP150	L = 150 mm [5.90 in]
SRV-RP250	L = 250 mm [9.84 in]
SRV-RP350	L = 350 mm [13.78 in]
SRV-RP450	L = 450 mm [17.70 in]



Units: mm  
[inch]



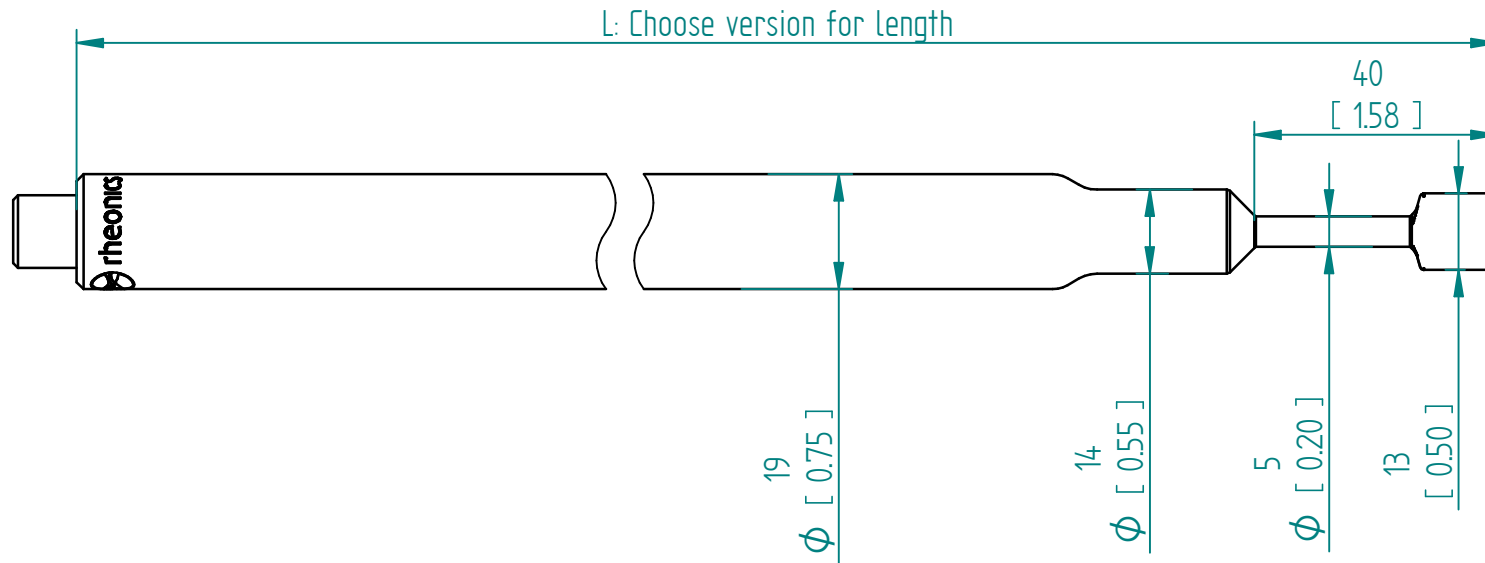
# SRV-RP Reactor Probe SRV

This drawing remains property of rheonics. It may be neither copied nor informed to third persons or competitors without our approval. ( 2 paragraph 1 fig.7 copyright act of 9th Sept. 1965)

Protected by US and International patents granted and pending

## Rheonics SRD-RP

Max. Pressure	500 bar (7500 psi)
Material	316L
Order Code	Length
SRD-RP150	L = 150 mm [5.90 in]
SRD-RP250	L = 250 mm [9.84 in]
SRD-RP350	L = 350 mm [13.78 in]
SRD-RP450	L = 450 mm [17.70 in]



Units: mm  
[inch]

## SRD-RP Reactor Probe SRD

This drawing remains property of rheonics. It may be neither copied nor informed to third persons or competitors without our approval. ( 2 paragraph 1 fig.7 copyright act of 9th Sept. 1965)

rheonics   
inline process  
density and viscosity  
monitoring

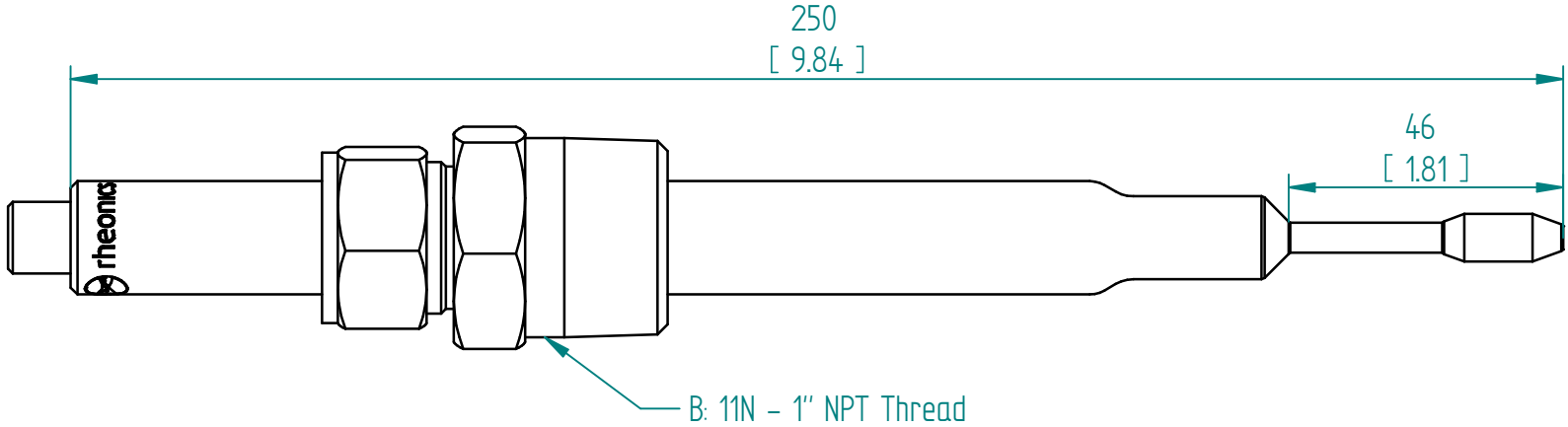
Protected by US and International patents granted and pending

rheonics • Switzerland • USA • www.rheonics.com • info@rheonics.com +41 52 511 32 00 +1 713 364 5427

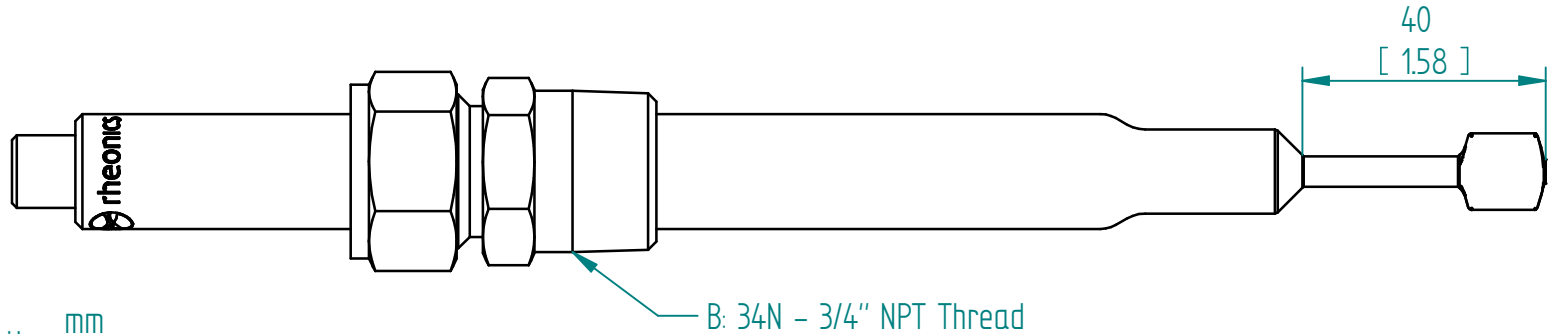
Release: 2310 Preliminary release - only for guidance

Reactor Probe (RP) Order Code		
Rheonics SRx-RPyyy-Bzzz		
x: Sensor Type	Selected by customer	Rheonics SRV viscometer Rheonics SRD density meter and viscometer
yyy: Length Variant	Selected by customer	Options: 150/250/350/450 mm
zzz: Connection Type	Defined by customer	Compression Fitting min. OD 22mm PTFE or SS316L material

Client should specify sensor type, length variant and process connection required



SRV-RP250-B11N  
1" NPT compression fitting



SRD-RP250-B34N  
3/4" NPT compression fitting

Units: mm  
[inch]



# SR-Sensor RP Configuration options

This drawing remains property of rheonics. It may be neither copied nor informed to third persons or competitors without our approval. ( 2 paragraph 1 fig.7 copyright act of 9th Sept. 1965)

Protected by US and International patents granted and pending