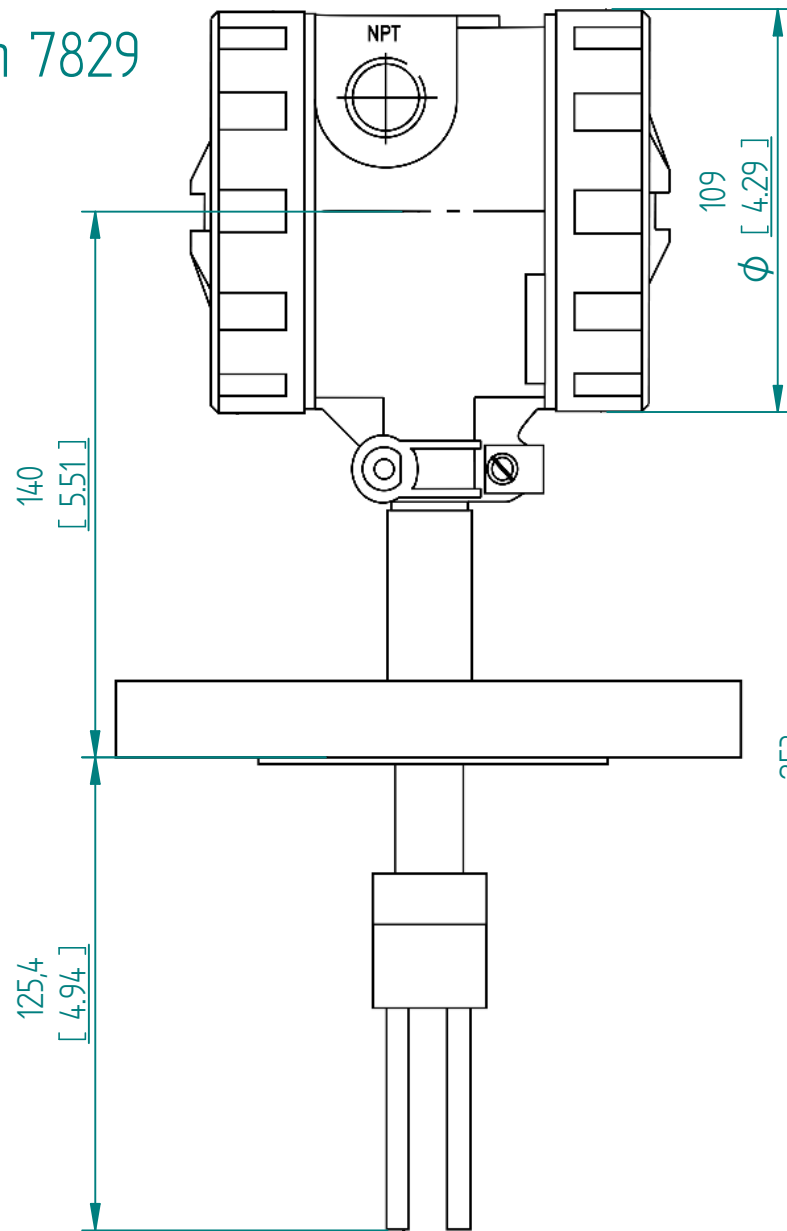
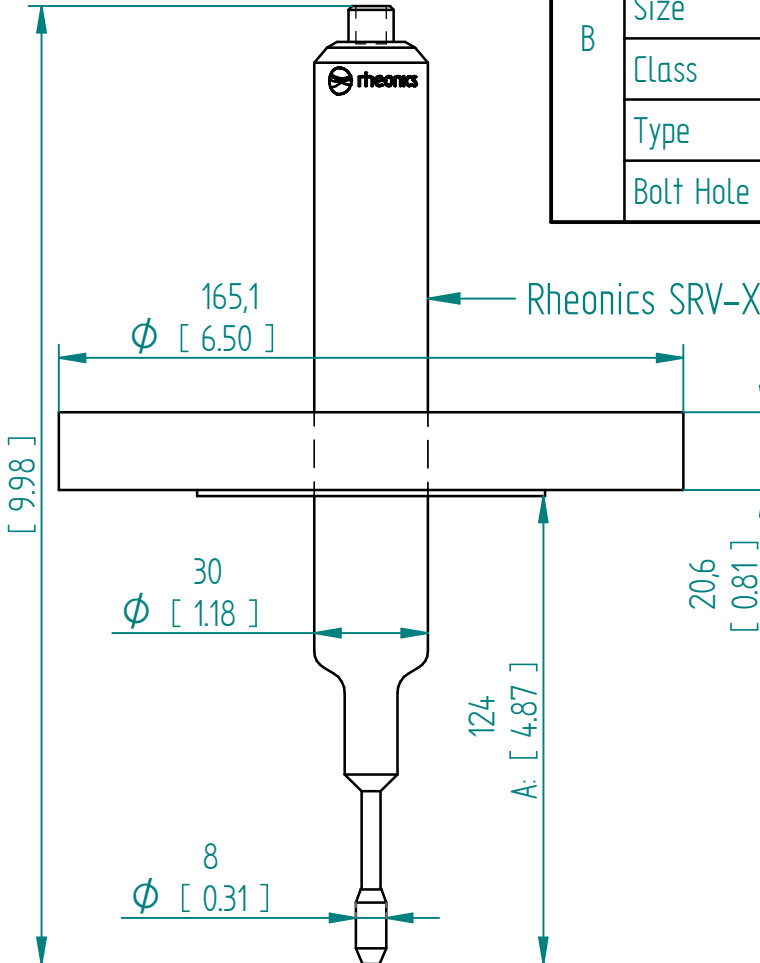


Emerson 7829



Rheonics SRV



X5	Installation	
A	Insertion Depth	123.8 mm
B	Connection	Flange
	Norm	ANSI B16.5
	Size	2"
	Class	300 lb
	Type	RF
	Bolt Hole	8xØ19 mm

← Rheonics SRV-X5-A124 2" ANSI 300lb RF

Unit mm [inch]

Retrofit: SRV - Emerson 7829

This drawing remains property of rheonics. It may be neither copied nor informed to third persons or competitors without our approval. (2 paragraph 1 fig.7 copyright act of 9th Sept. 1965)

Protected by US and International patents granted and pending

