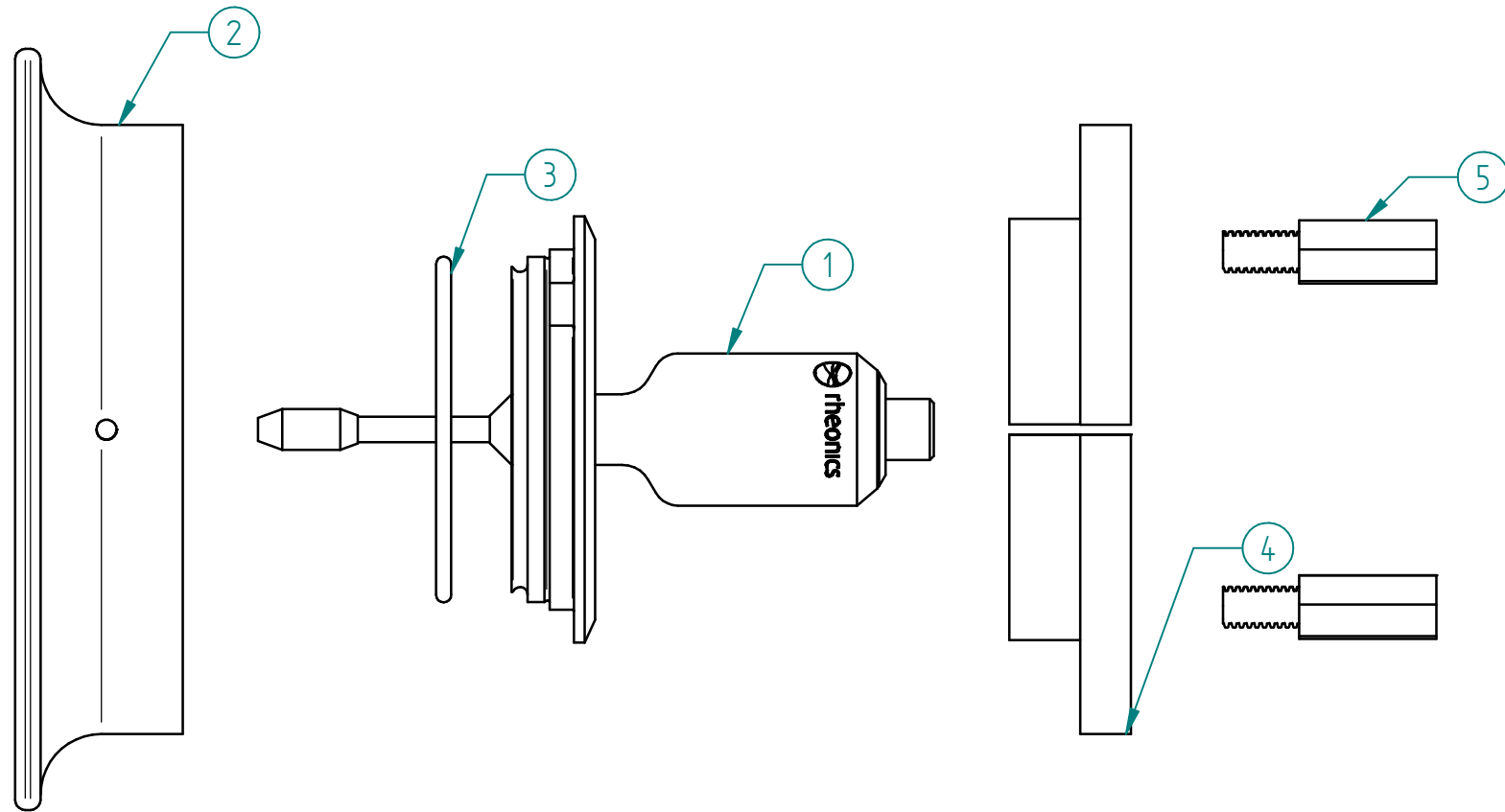


SRV Varinline Tank Connection flange	
Part number	Part description
1	SRV-X4-Varinline N
2	Welded tank varinline flange
3	O-ring N
4	Grooved flange x2
5	Bolt x4



SRV-X4-B Varinline N Tank connection flange

This drawing remains property of rheonics. It may be neither copied nor informed to third persons or competitors without our approval. (2 paragraph 1 fig.7 copyright act of 9th Sept. 1965)