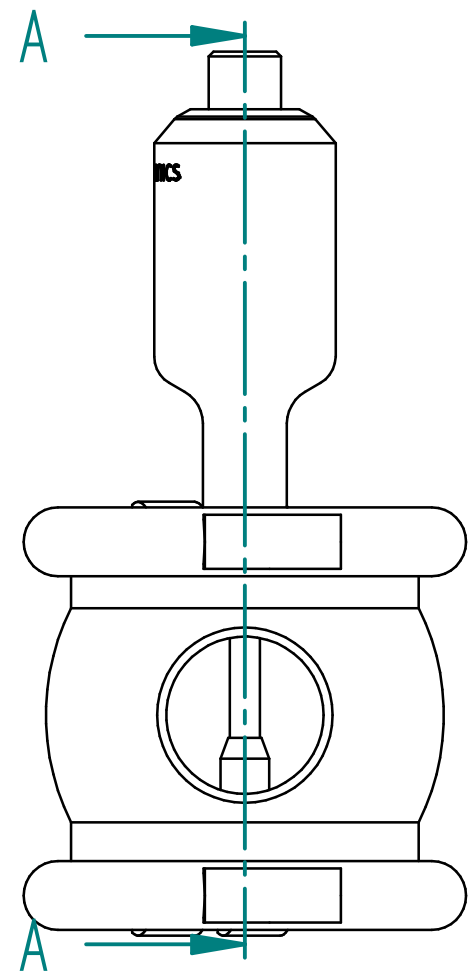
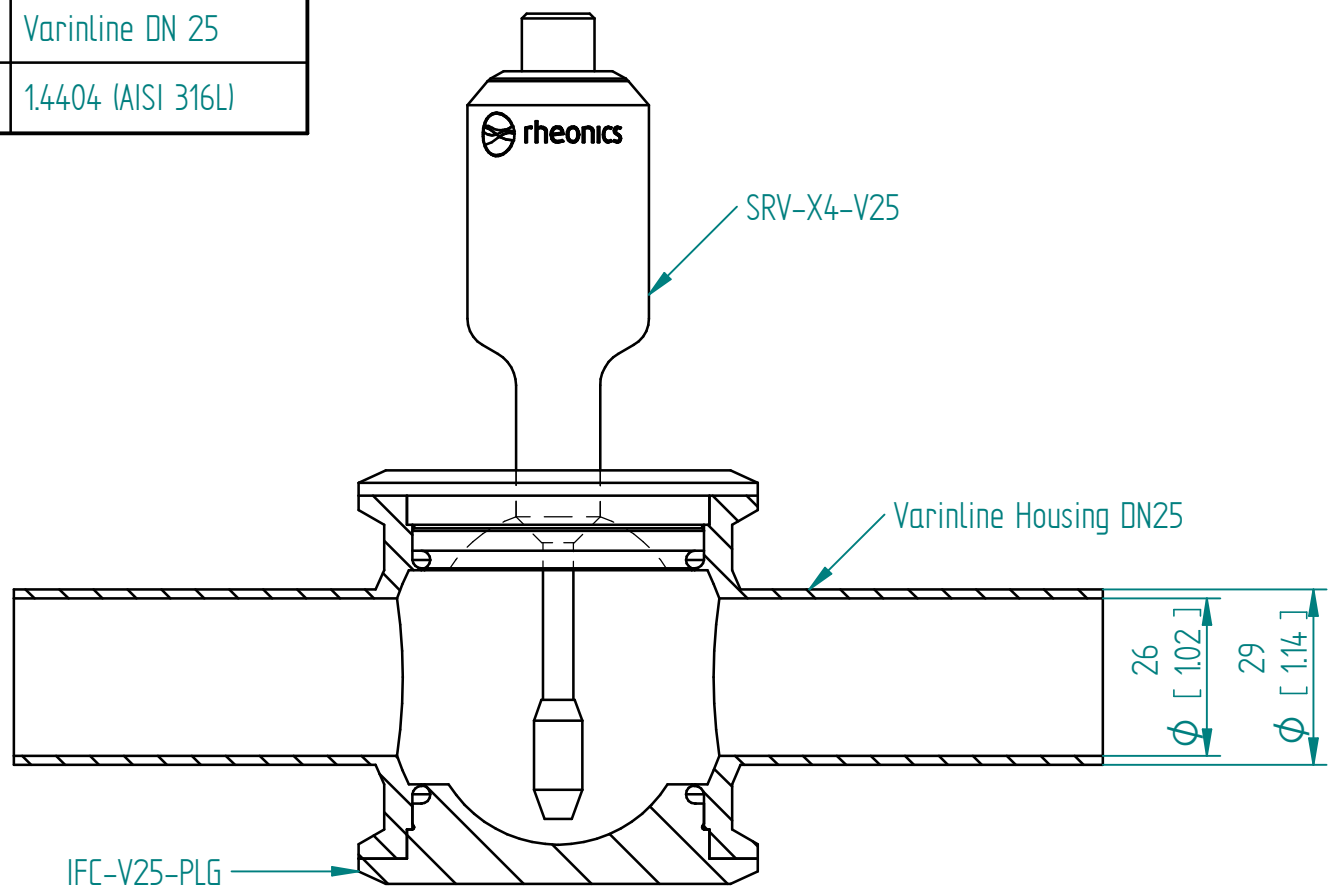


Inline installation

Sensor	SRV EHEDG Flush
Housing	Varinline DN 25
Housing material	1.4404 (AISI 316L)



Section A-A

Units: mm
[inch]

SRV-X4 Varinline F DN25
IFC-V25

This drawing remains property of rheonics. It may be neither copied nor informed to third persons or competitors without our approval. (2 paragraph 1 fig.7 copyright act of 9th Sept. 1965)



Protected by US and International patents granted and pending

rheonics • Switzerland • USA • www.rheonics.com • info@rheonics.com +41 52 511 32 00 +1 713 364 5427

Release: 2308