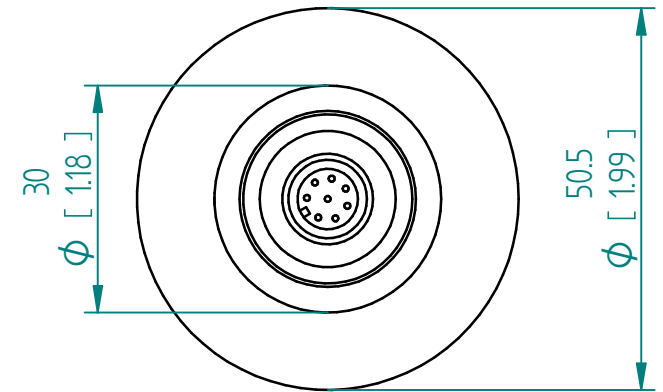


Pressure-Rating of the sensor probe	As specified in order confirmation
Material	316L
Process connection	Tri-Clamp 1.5"
Compatible with	ISO 1127 DN 10* / 15 / 20 / 25 / 32
	DIN 32676 DN 25 / 32 / 40
	ASME BPE 3/4" / 1" / 1 1/2"
Order Code	SRD-X4-15T

*seal gasket will be over the weld line, care should be taken to use sufficiently conformal gaskets to seal



Units: mm
[inch]

SRD-X4-15T Flush Tri-Clamp 1.5"

This drawing remains property of rheonics. It may be neither copied nor informed to third persons or competitors without our approval. (2 paragraph 1 fig.7 copyright act of 9th Sept. 1965)

rheonics 
inline process
density and viscosity
monitoring

Protected by US and International patents granted and pending

rheonics • Switzerland • USA • www.rheonics.com • info@rheonics.com +41 52 511 32 00 +1 713 364 5427

Release: 2404