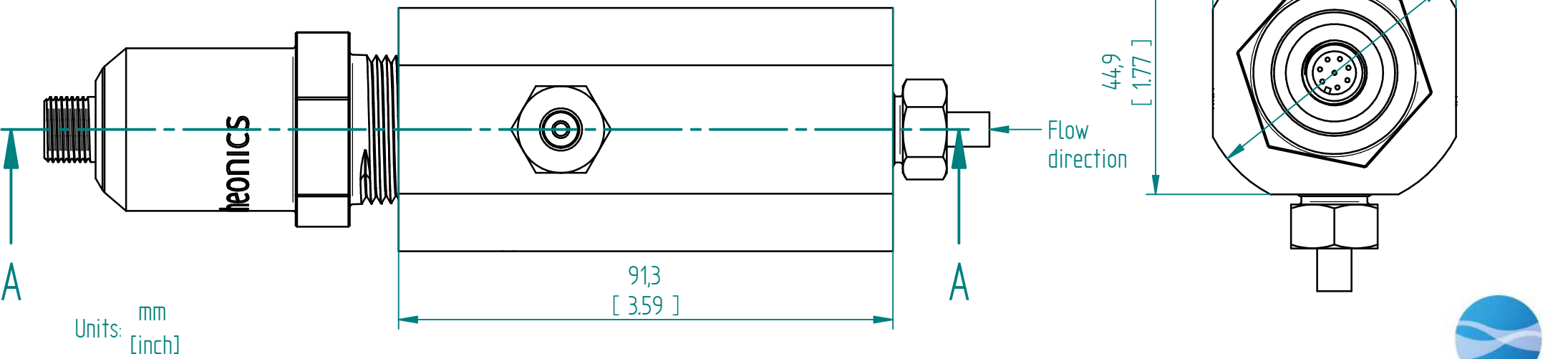


Pressure rating (cell)	10000psi (689.5 bar)
Pressure rating (3/4" thread)	7250 psi (500 bar)
Material	316L
Fluid volume	4.3 ml

Only to be used with correct pressure rating on the SRV sensor.



# SRV HPHT Flow Cell HPT-SRV

This drawing remains property of rheonics. It may be neither copied nor informed to third persons or competitors without our approval. ( 2 paragraph 1 fig.7 copyright act of 9th Sept. 1965)



Protected by US and International patents granted and pending