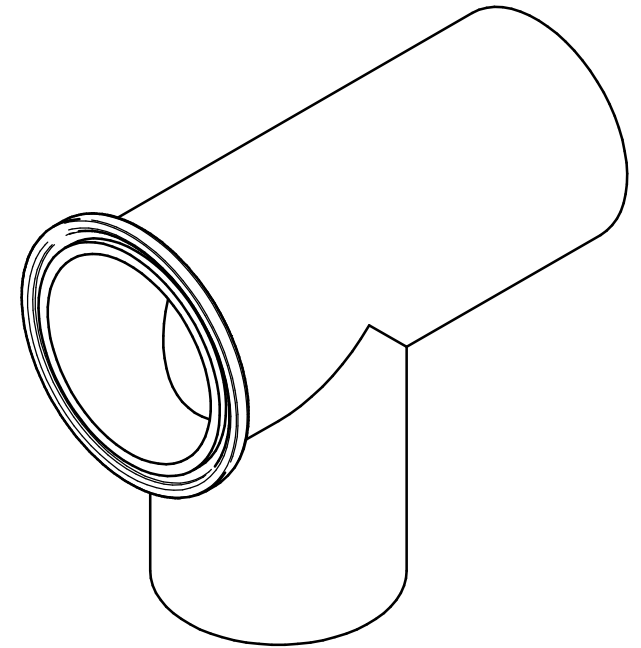


Tri-Clamp elbow tee	
Adapter Order Code	FET-15T-XXX
Inlet/Outlet Connection	Welding
Sensor Connection	Tri-Clamp DN25/32/40



Units: mm
[inch]

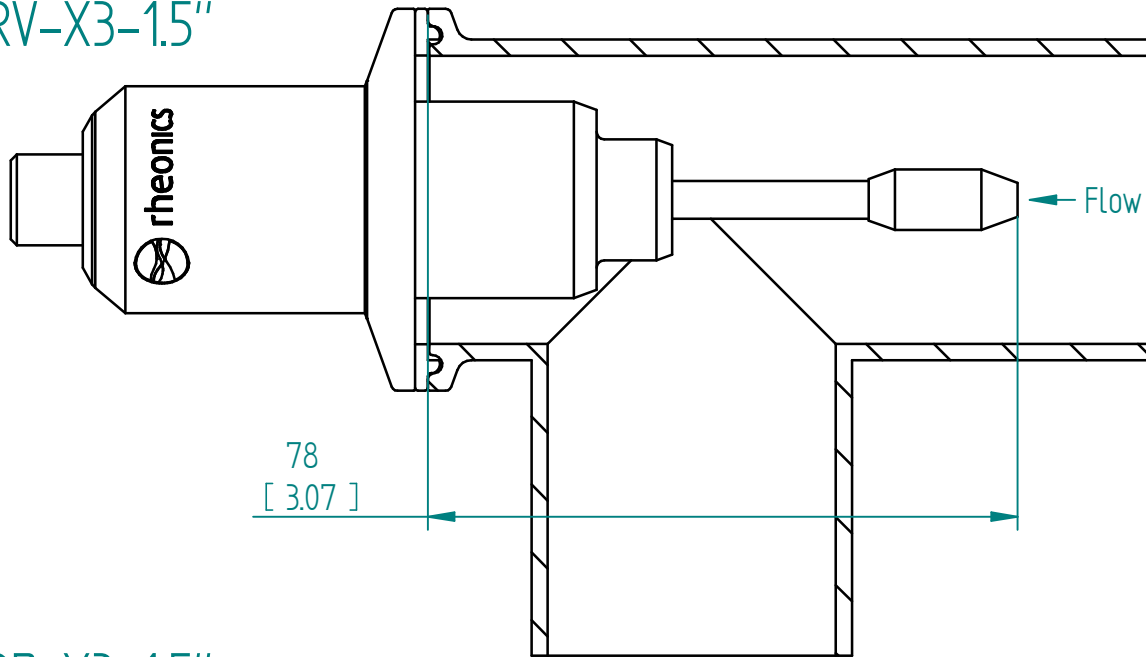
FET-15T-XXX Tri-Clamp elbow tee

This drawing remains property of rheonics. It may be neither copied nor informed to third persons or competitors without our approval. (2 paragraph 1 fig.7 copyright act of 9th Sept. 1965)

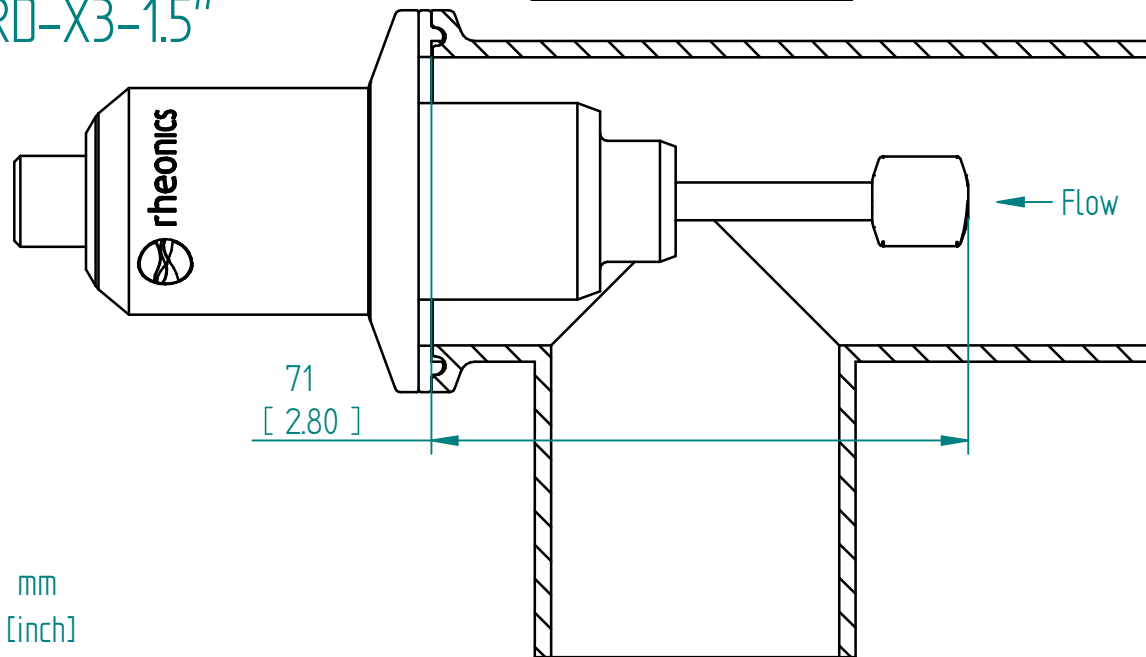


Protected by US and International patents granted and pending

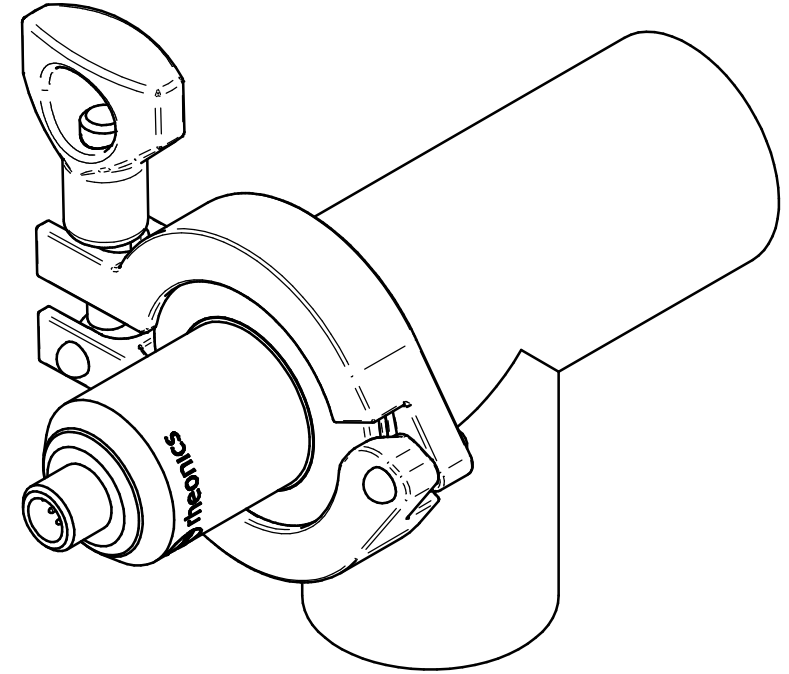
SRV-X3-1.5"



SRD-X3-1.5"



Units: mm
[inch]



Installation Drawing FET-15T-XXX

This drawing remains property of rheonics. It may be neither copied nor informed to third persons or competitors without our approval. (2 paragraph 1 fig.7 copyright act of 9th Sept. 1965)



Protected by US and International patents granted and pending

rheonics • Switzerland • USA • www.rheonics.com • info@rheonics.com +41 52 511 32 00 +1 713 364 5427

Release: 2303