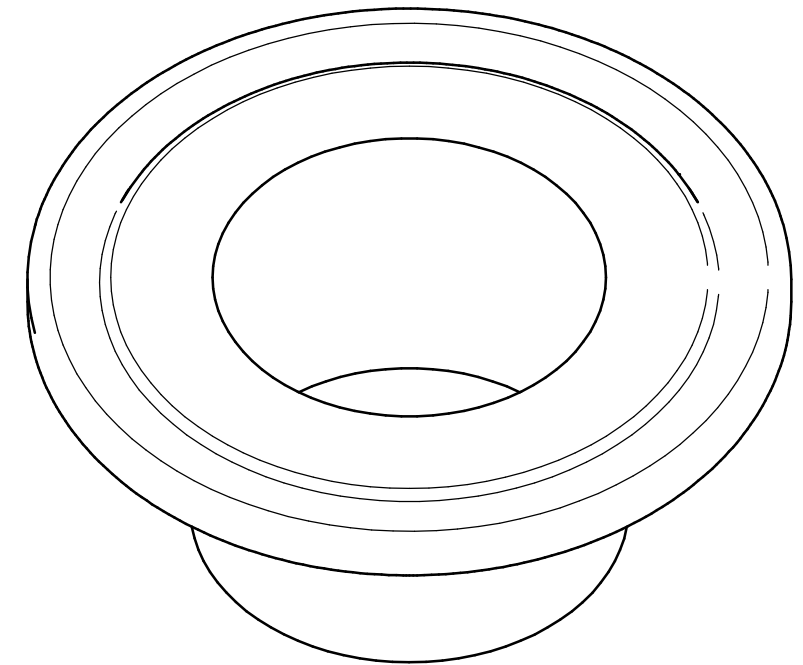


Tri-Clamp ferrule weldolet	
Adapter Order Code	WFT-15T
Connection	Tri Clamp DN25
Norm	DIN 32676
Material	1.4404 (316L)



Units: mm
[inch]

WFT-15T Tri-Clamp Weldolet Ferrule

This drawing remains property of rheonics. It may be neither copied nor informed to third persons or competitors without our approval. (2 paragraph 1 fig.7 copyright act of 9th Sept. 1965)

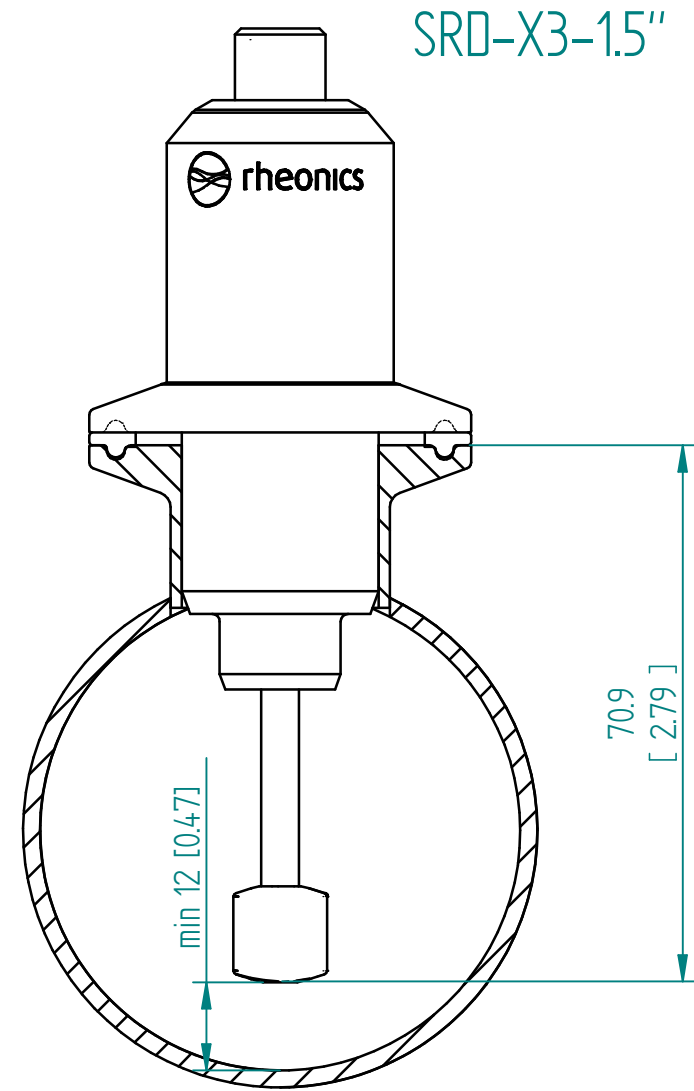
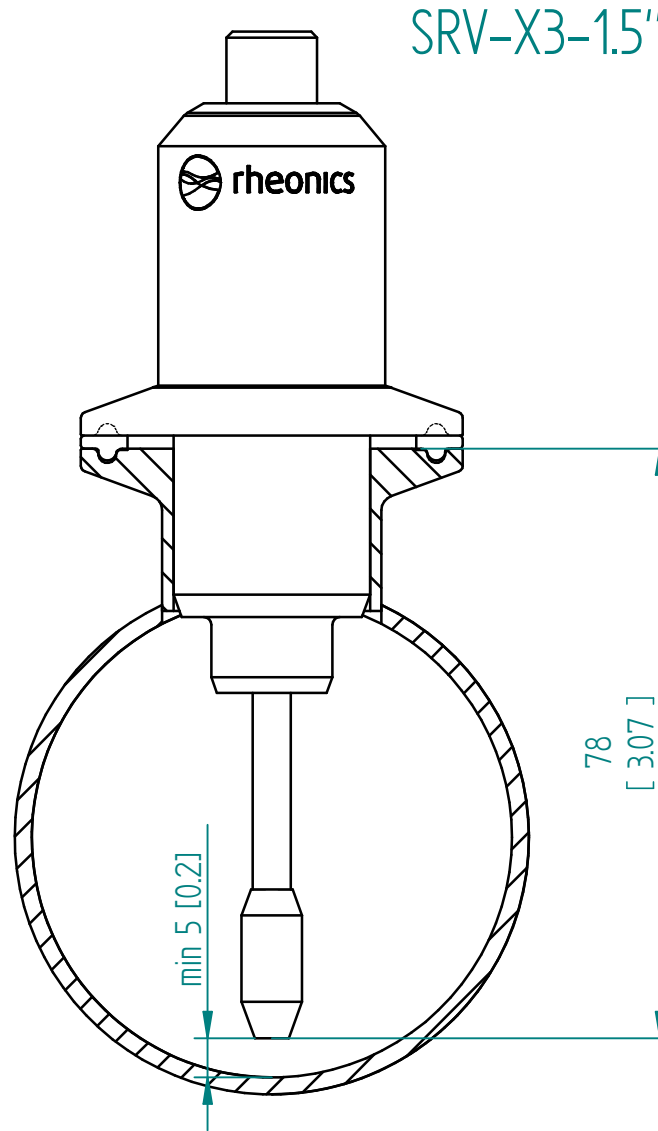
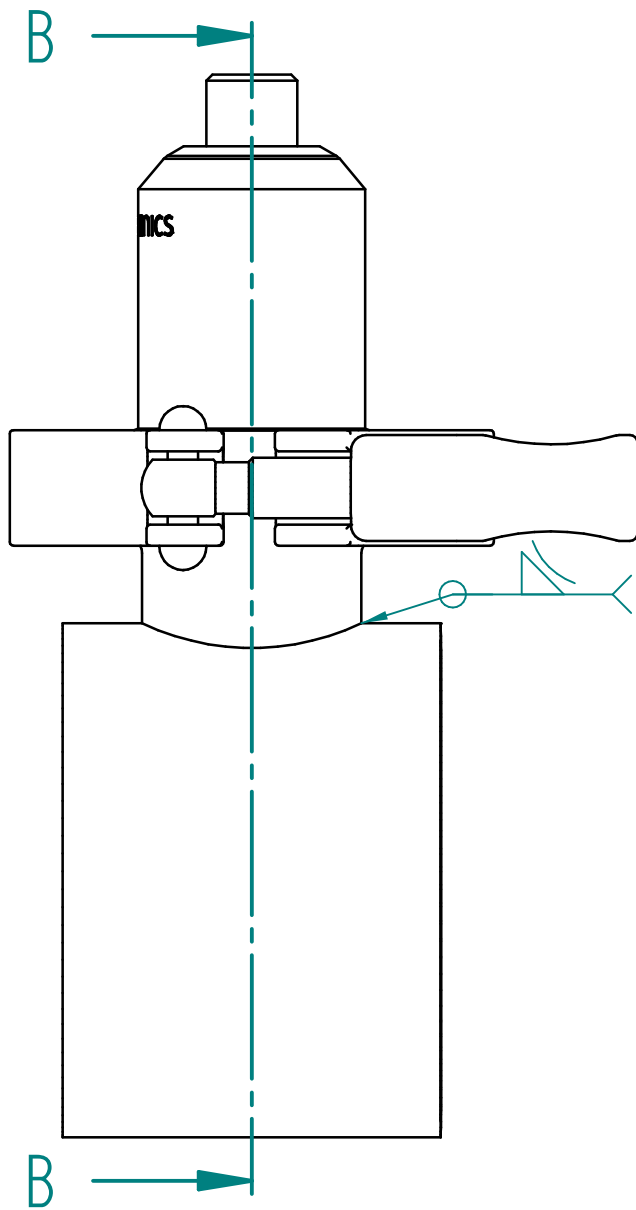
rheonics 

inline process
density and viscosity
monitoring

Protected by US and International patents granted and pending

rheonics • Switzerland • USA • www.rheonics.com • info@rheonics.com +41 52 511 32 00 +1 713 364 5427

Release: 2303



Units: mm
[inch]



Installation drawing WFT-15T

This drawing remains property of rheonics. It may be neither copied nor informed to third persons or competitors without our approval. (2 paragraph 1 fig.7 copyright act of 9th Sept. 1965)

Protected by US and International patents granted and pending