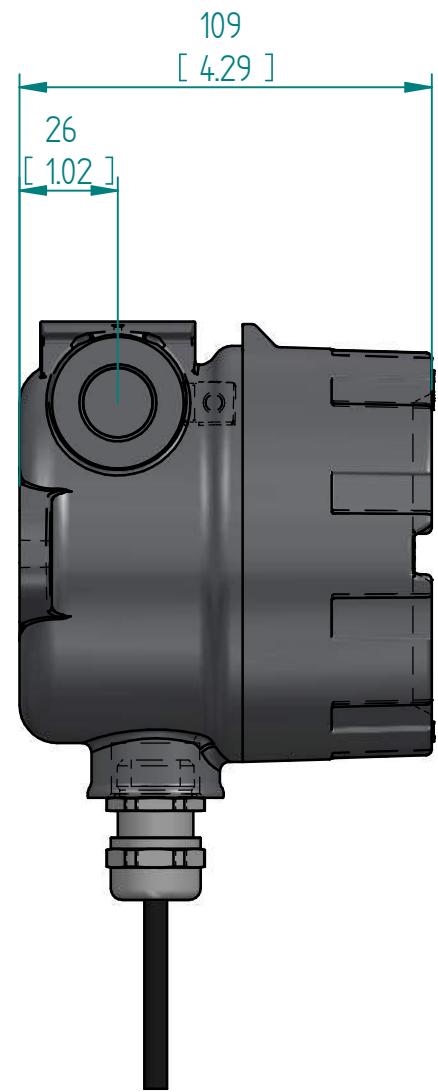
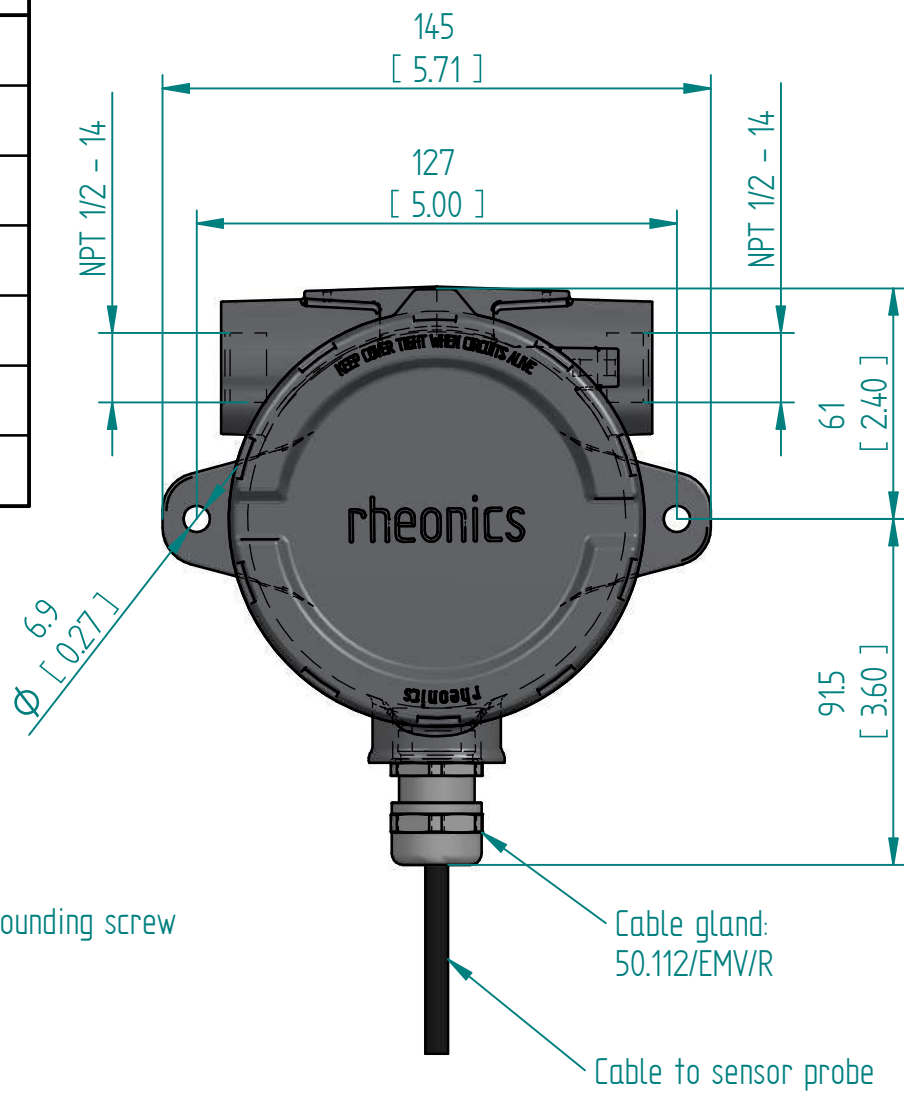
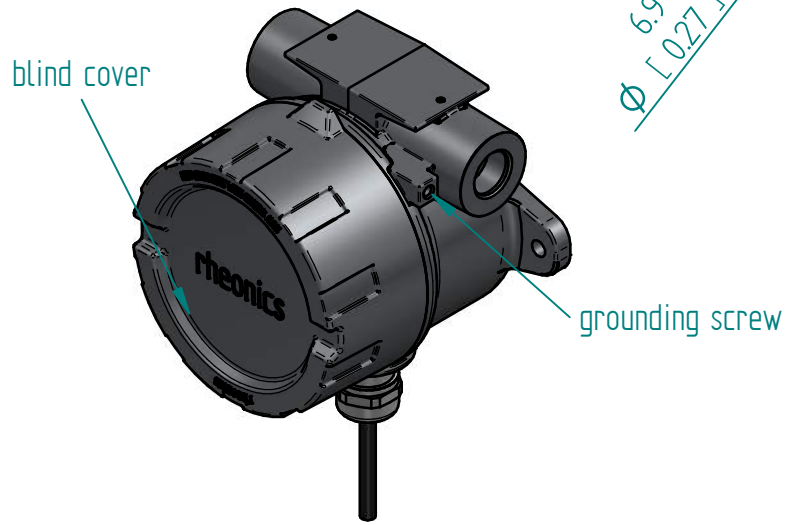


SME	
Type	SME-TR-SSX
Weight	3.2 kg [7.0lb]
IP-Rating	IP66
Power	24VDC
Ports	3x 1/2" NPT
Material enclosure	Stainless steel
Material o-ring	FKM



Units: mm
[inch]

For mounting, use
TMB-TRX : Transmitter Mounting Bracket

SME-TR-SSX

This drawing remains property of rheonics. It may be neither copied nor informed to third persons or competitors without our approval. (2 paragraph 1 fig.7 copyright act of 9th Sept. 1965)



Protected by US and International patents granted and pending