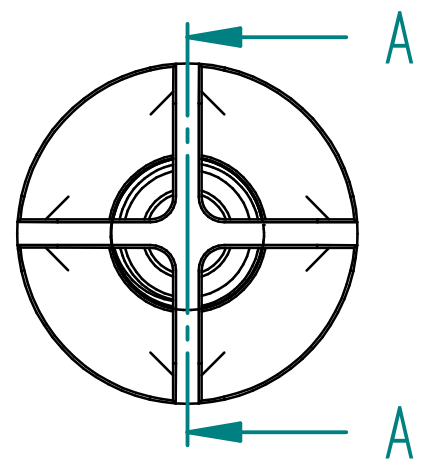
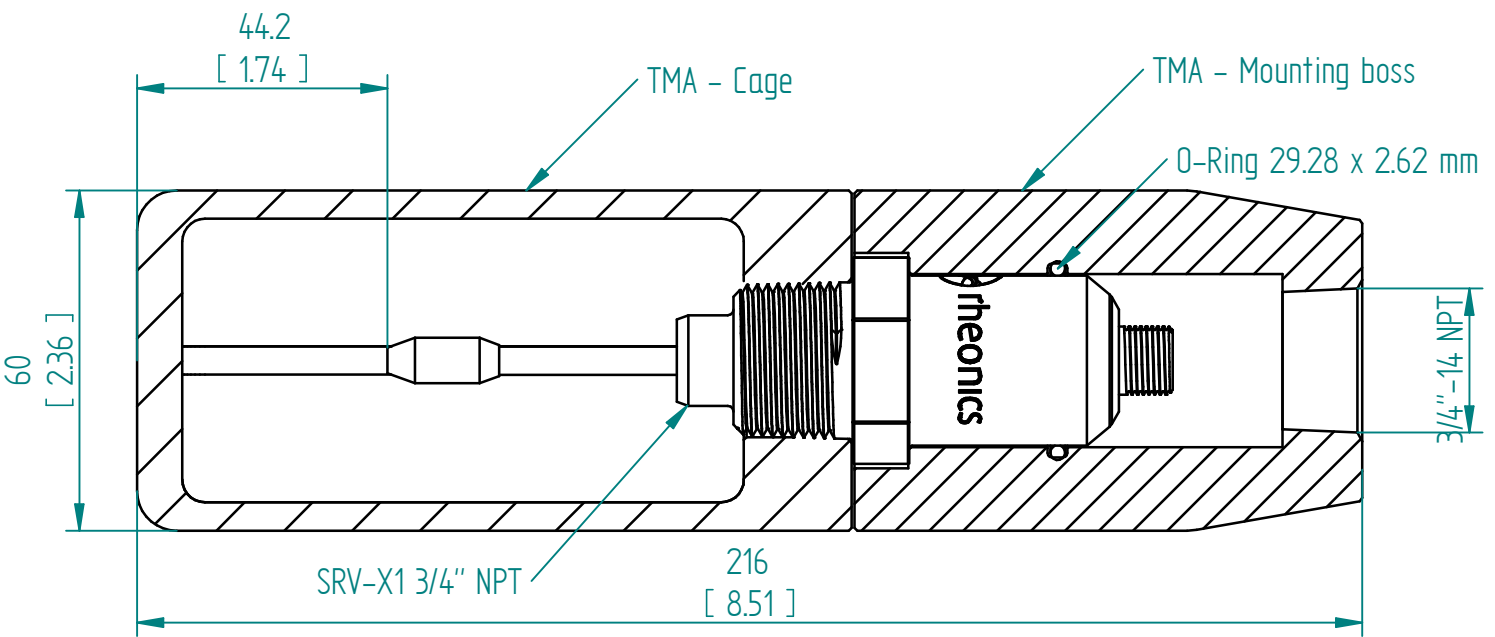
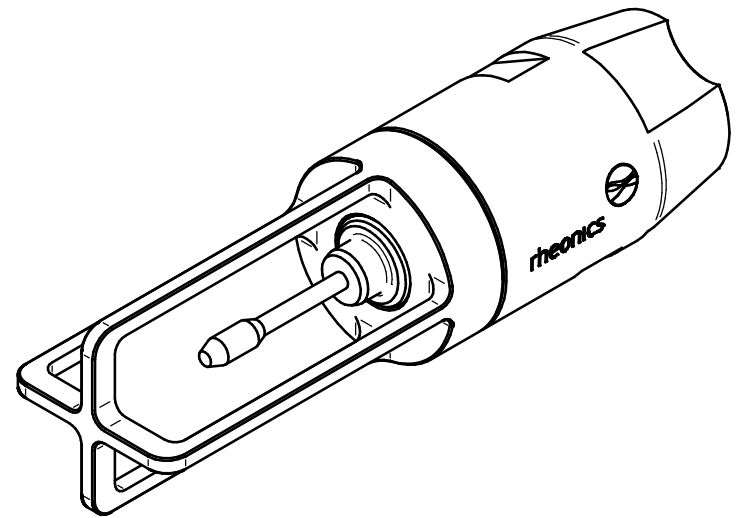


Material	316L
Sensor connection	3/4" - 14 NPT

TMA - Tank Mount Adapter is not reated for high pressure applications



Section A-A

Units: mm [inch]

**TMA-34N  
SRV in Tank Mount Adapter**

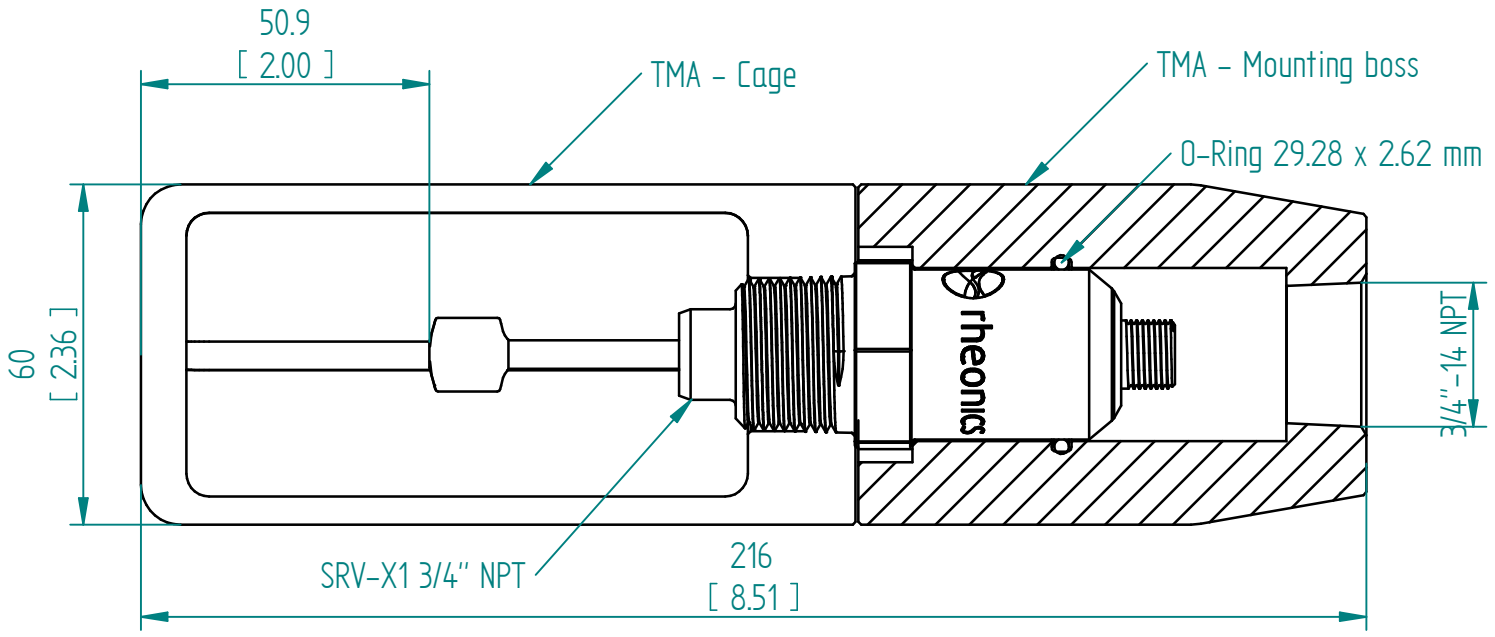
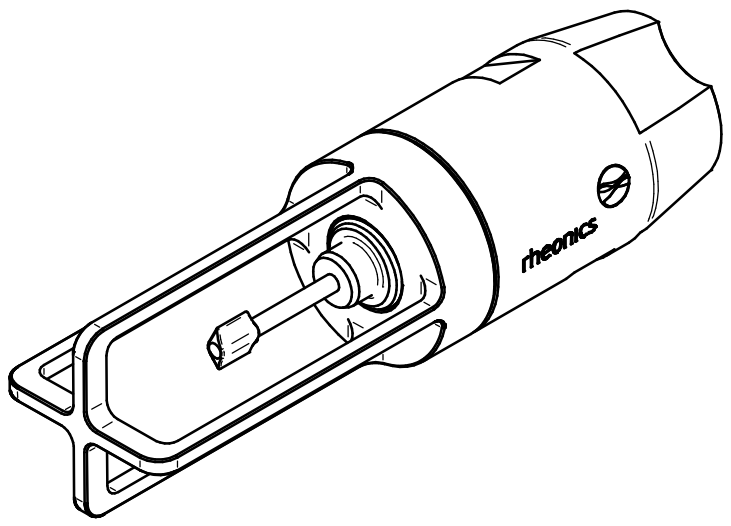
This drawing remains property of rheonics. It may be neither copied nor informed to third persons or competitors without our approval. ( 2 paragraph 1 fig.7 copyright act of 9th Sept. 1965)



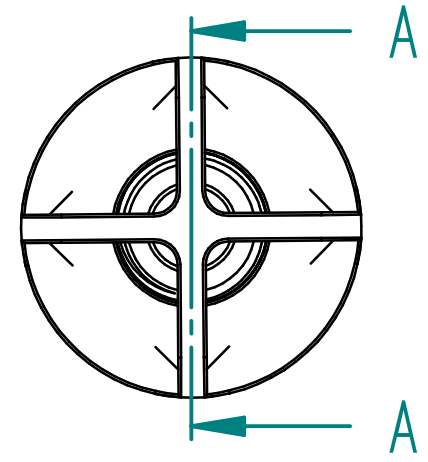
Protected by US and International patents granted and pending

Material	316L
Sensor connection	3/4" - 14 NPT

TMA - Tank Mount Adapter is not rated for high pressure applications



Section A-A



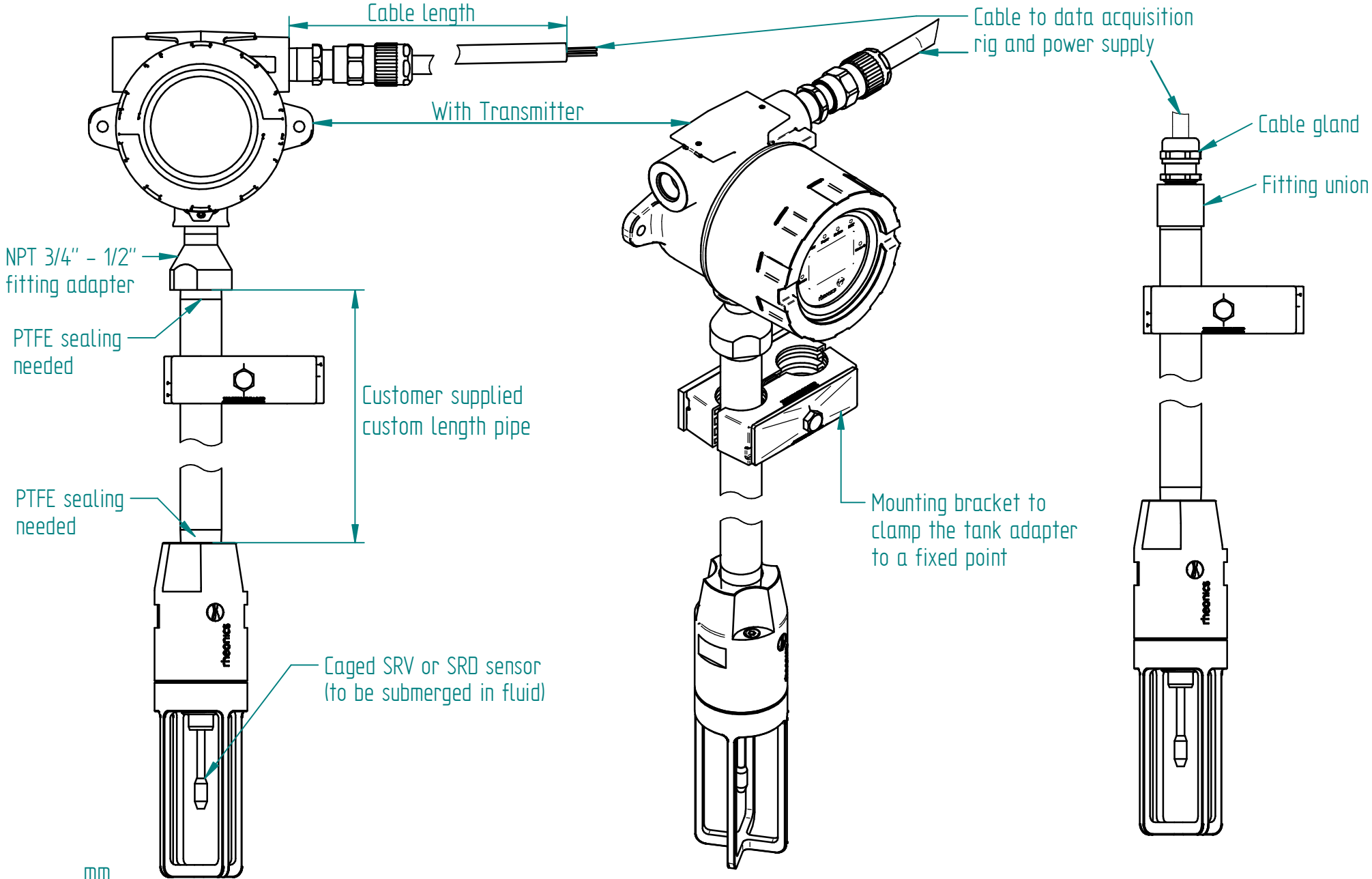
Units: mm  
[inch]

## TMA-34N SRD in Tank Mount Adapter

This drawing remains property of rheonics. It may be neither copied nor informed to third persons or competitors without our approval. ( 2 paragraph 1 fig.7 copyright act of 9th Sept. 1965)



Protected by US and International patents granted and pending



Units: mm  
[inch]

# TMA-34N Installation drawing

This drawing remains property of rheonics. It may be neither copied nor informed to third persons or competitors without our approval. ( 2 paragraph 1 fig.7 copyright act of 9th Sept. 1965)

Protected by US and International patents granted and pending

