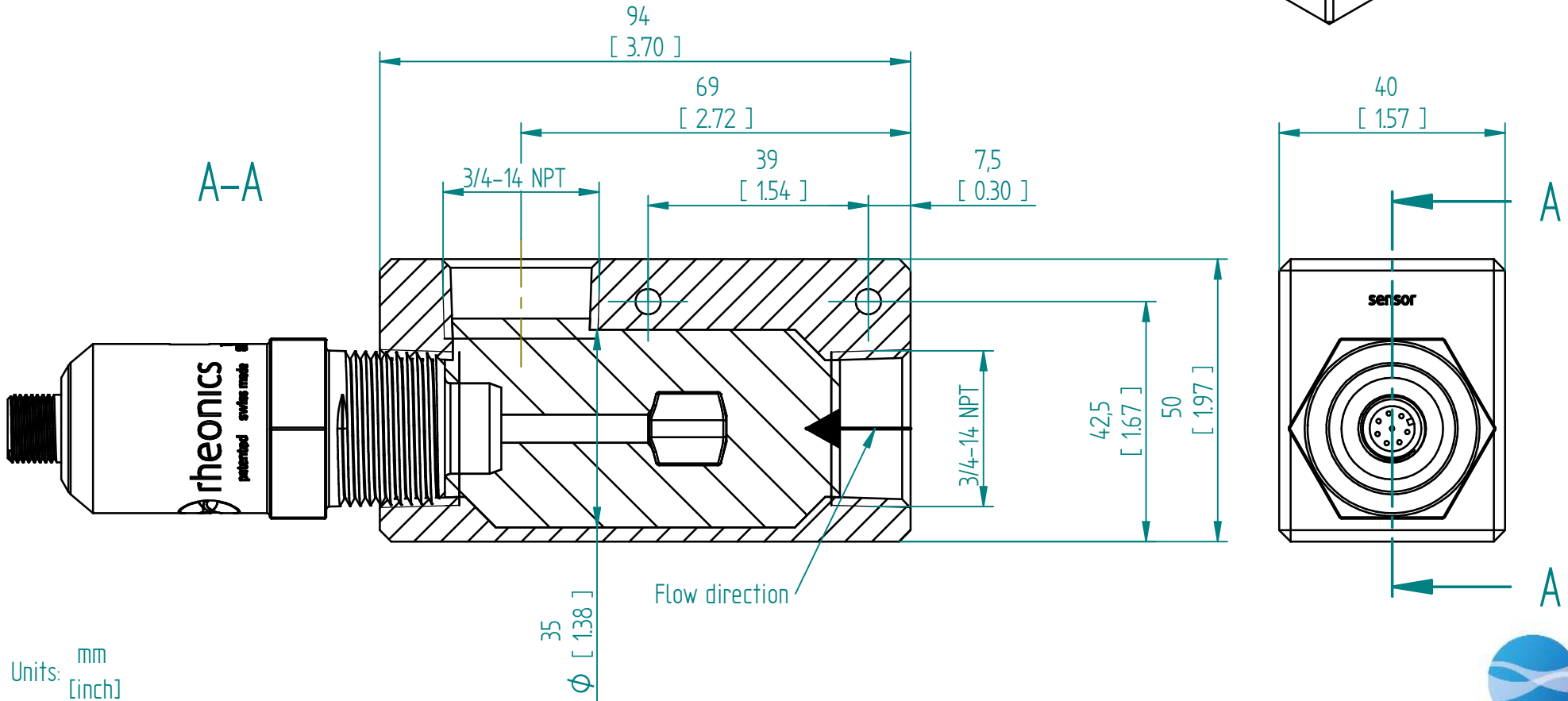
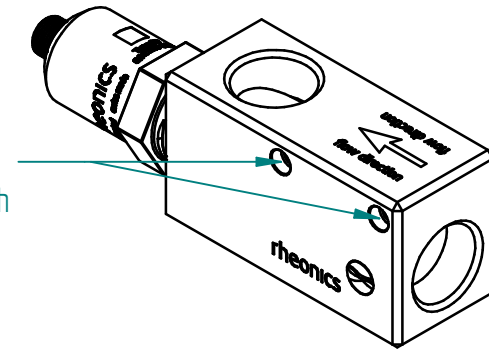


Pressure rating	200 bar (2900 psi)
Material	316L
Fluid volume	60 ml

Only to be used with correct pressure rating on the SRD sensor.

Mount with two
- 8-32x 1 3/4 in. screws or with
- M4x45 mm screws



SRD 3/4" NPT Inline Flow Cell IFC-34N-SRD

This drawing remains property of rheonics. It may be neither copied nor informed to third persons or competitors without our approval. (2 paragraph 1 fig.7 copyright act of 9th Sept. 1965)

Protected by US and International patents granted and pending

rheonics • Switzerland • USA • www.rheonics.com • info@rheonics.com +41 52 511 32 00 +1 713 364 5427

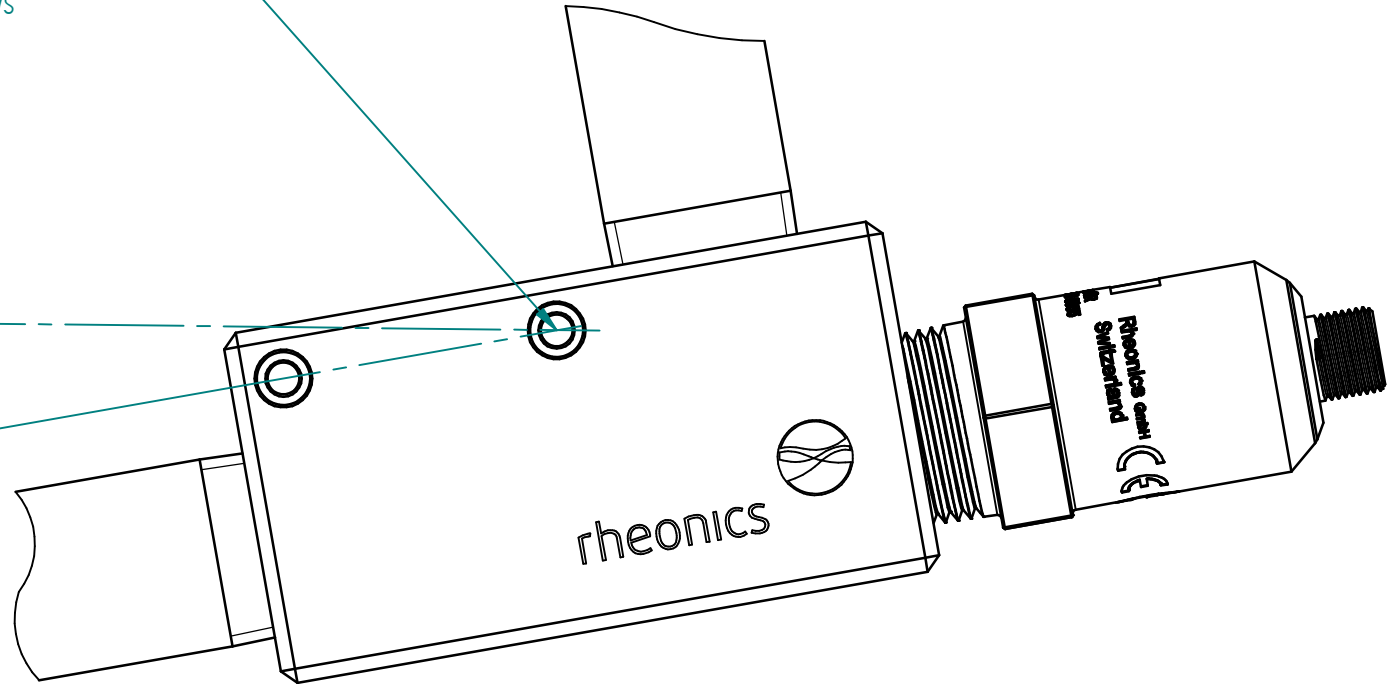
rheonics



inline process
density and viscosity
monitoring

Mount with two
- 8-32 x 1 3/4 in. screws or with
- M4 x 45 mm screws

For better cleanability,
mount adapter at an angle
as shown in the image to the right



Units: mm
[inch]

SRD 3/4" NPT Inline Flow Cell IFC-34N-SRD

This drawing remains property of rheonics. It may be neither copied nor informed to third persons or competitors without our approval. (2 paragraph 1 fig.7 copyright act of 9th Sept. 1965)

Protected by US and International patents granted and pending

rheonics • Switzerland • USA • www.rheonics.com • info@rheonics.com +41 52 511 32 00 +1 713 364 5427

