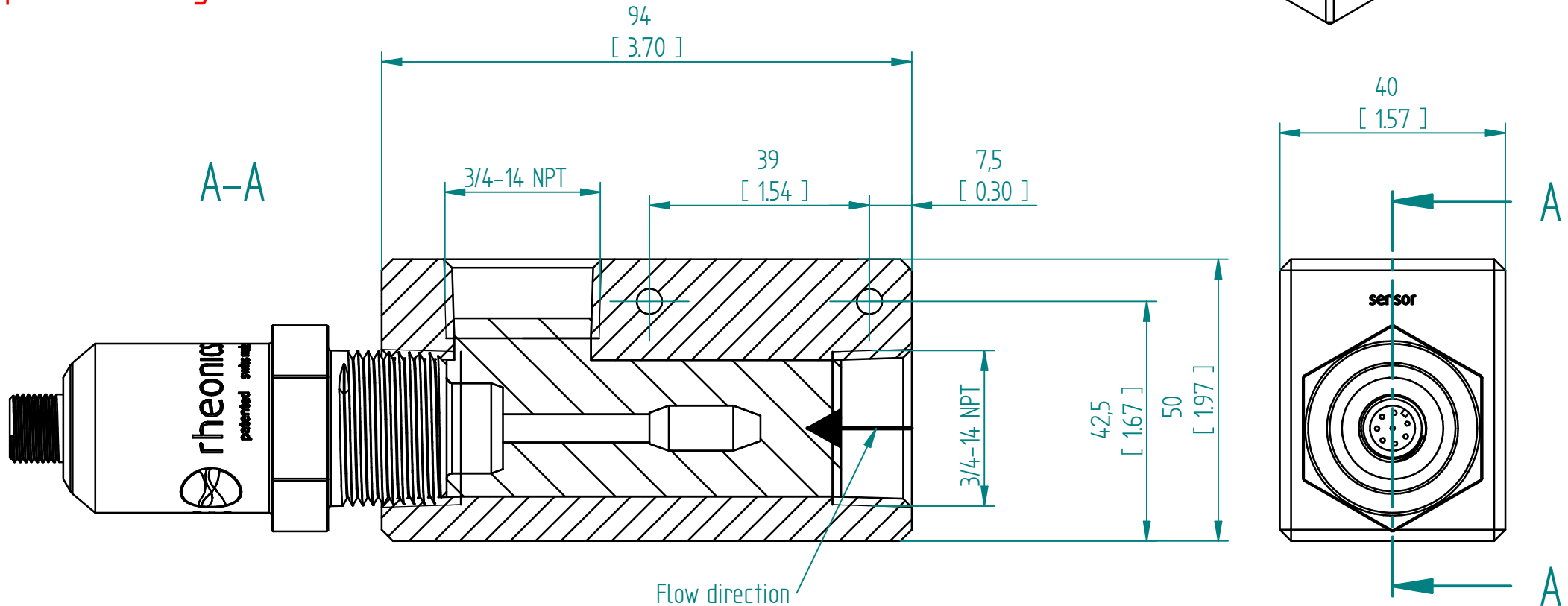
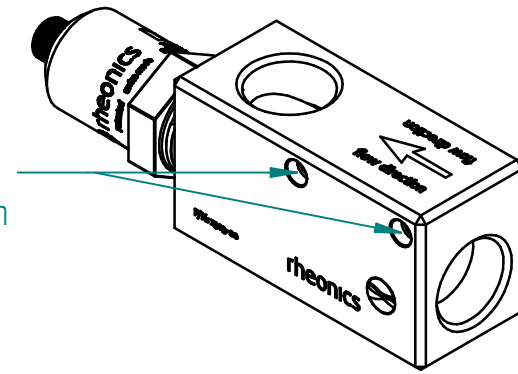


Pressure rating	200 bar (2900 psi)
Material	316L
Fluid volume	60 ml

Only to be used with correct pressure rating on the SRV sensor.

Mount with two  
 - 8-32 x 1 3/4 in. screws or with  
 - M4x45 mm screws



Units: mm  
 [inch]

## SRV 3/4" NPT Inline Flow Cell IFC-34N-SRV

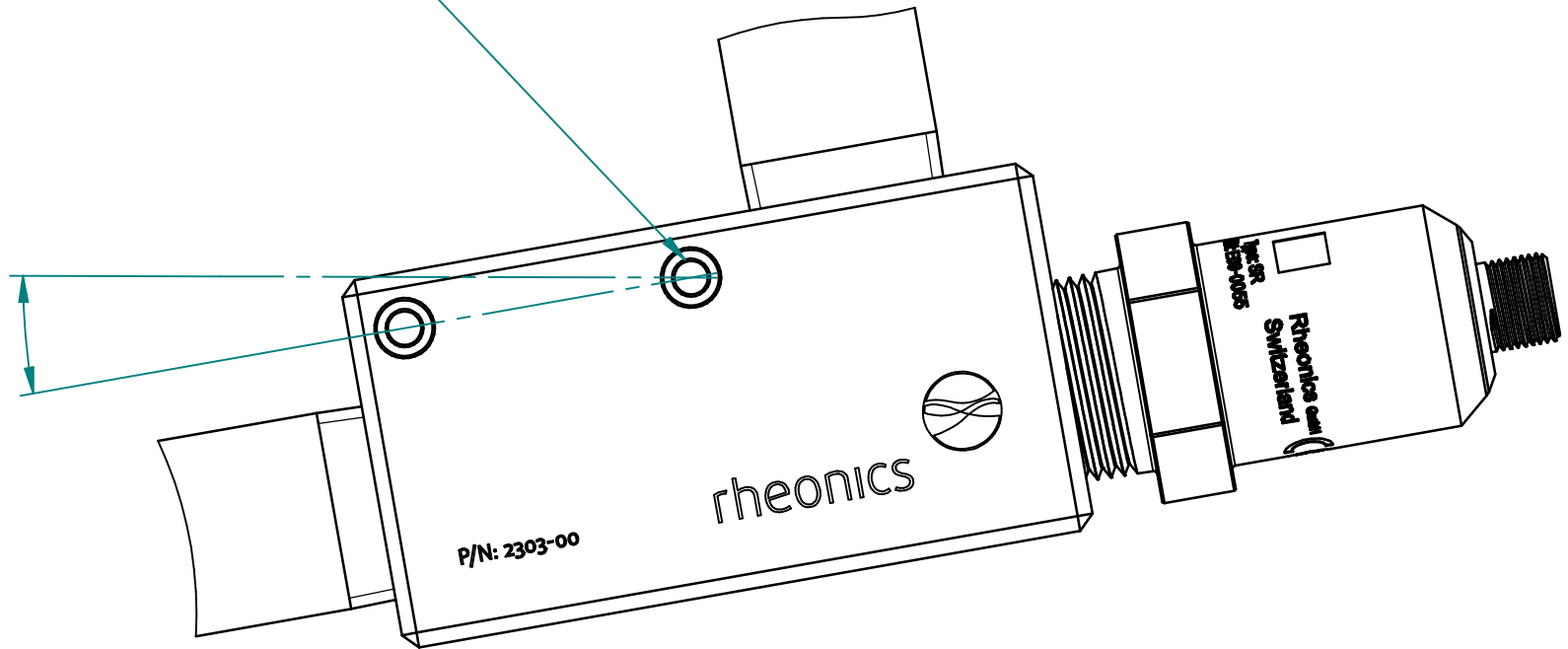
This drawing remains property of rheonics. It may be neither copied nor informed to third persons or competitors without our approval. ( 2 paragraph 1 fig.7 copyright act of 9th Sept. 1965)

Protected by US and International patents granted and pending

rheonics • Switzerland • USA • www.rheonics.com • info@rheonics.com +41 52 511 32 00 +1 713 364 5427

Mount with two  
- 8-32 x 1 3/4 in. screws or with  
- M4 x 45 mm screws

For better cleanability,  
mount adapter at an angle  
as shown in the image to the right



Units: mm  
[inch]

## SRV 3/4" NPT Inline Flow Cell IFC-34N-SRV

This drawing remains property of rheonics. It may be neither copied nor informed to third persons or competitors without our approval. ( 2 paragraph 1 fig.7 copyright act of 9th Sept. 1965)

Protected by US and International patents granted and pending

rheonics • Switzerland • USA • [www.rheonics.com](http://www.rheonics.com) • [info@rheonics.com](mailto:info@rheonics.com) +41 52 511 32 00 +1 713 364 5427

rheonics   
inline process  
density and viscosity  
monitoring