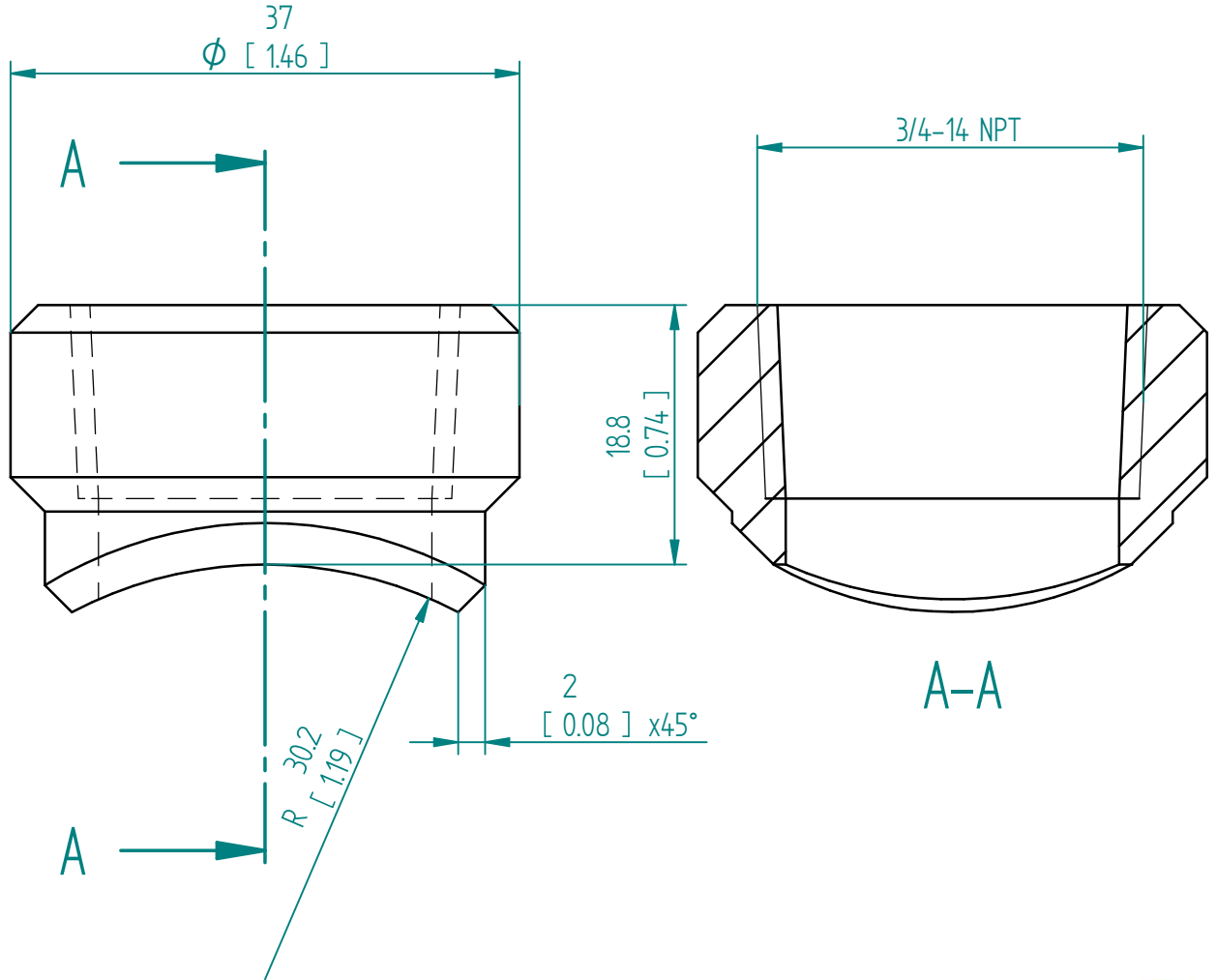
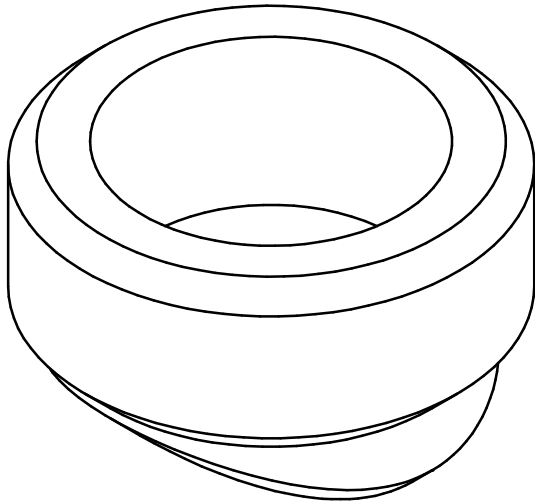


Pressure rating weldolet	500 bar (7500 psi)
Material	316L
Thread	NPT 3/4-14

Only to be used with correct pressure rating on the SRV/SRD sensor.



Units: mm
[inch]

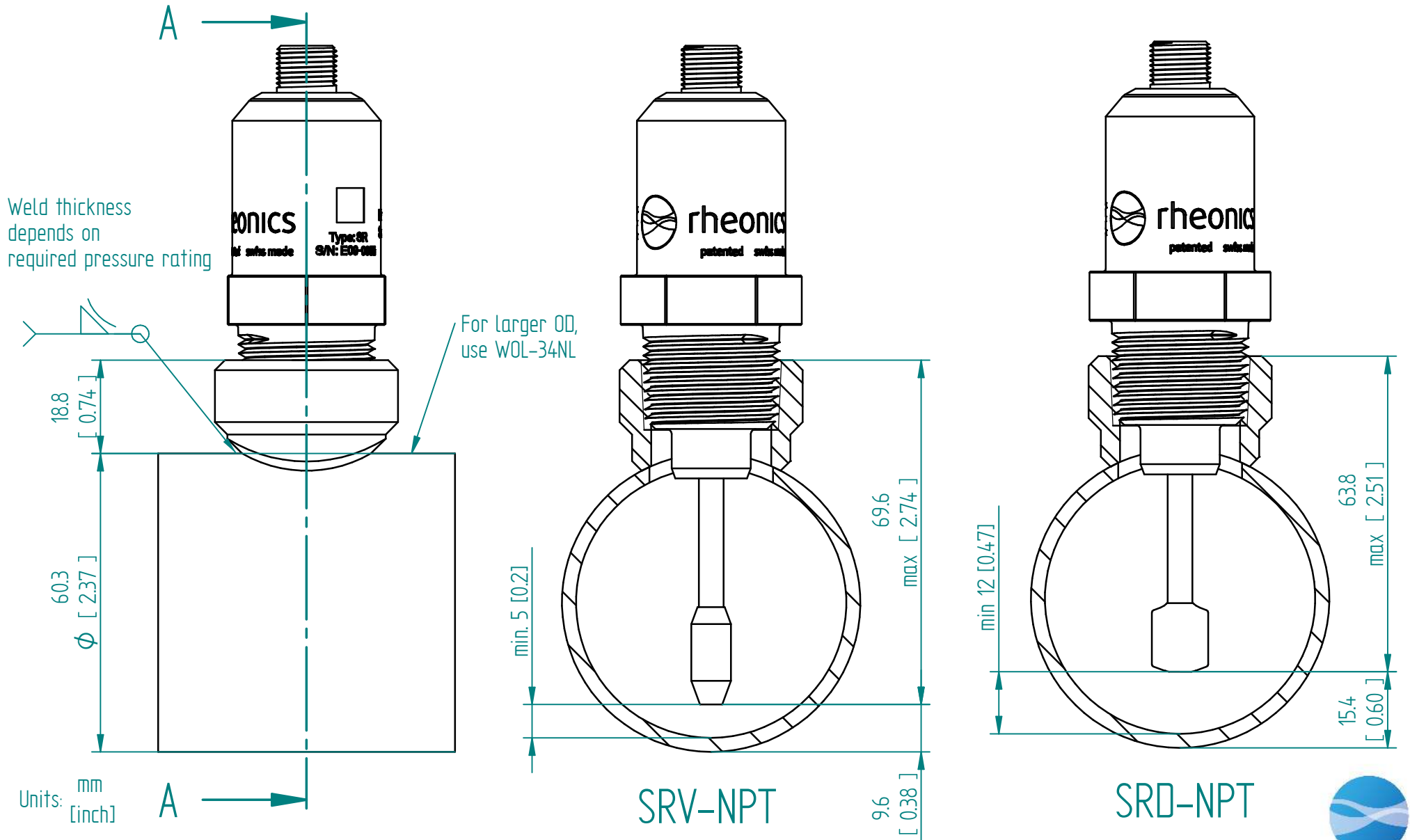
WOL-34NS Weldolet for 2" pipes

This drawing remains property of rheonics. It may be neither copied nor informed to third persons or competitors without our approval. (2 paragraph 1 fig.7 copyright act of 9th Sept. 1965)

Protected by US and International patents granted and pending

rheonics • Switzerland • USA • www.rheonics.com • info@rheonics.com +41 52 511 32 00 +1 713 364 5427

rheonics 
inline process
density and viscosity
monitoring



SRD-NPT
rheonics

inline process
density and viscosity
monitoring

Installation drawing WOL-34NS

This drawing remains property of rheonics. It may be neither copied nor informed to third persons or competitors without our approval. (2 paragraph 1 fig.7 copyright act of 9th Sept. 1965)

Protected by US and International patents granted and pending

rheonics • Switzerland • USA • www.rheonics.com • info@rheonics.com +41 52 511 32 00 +1 713 364 5427