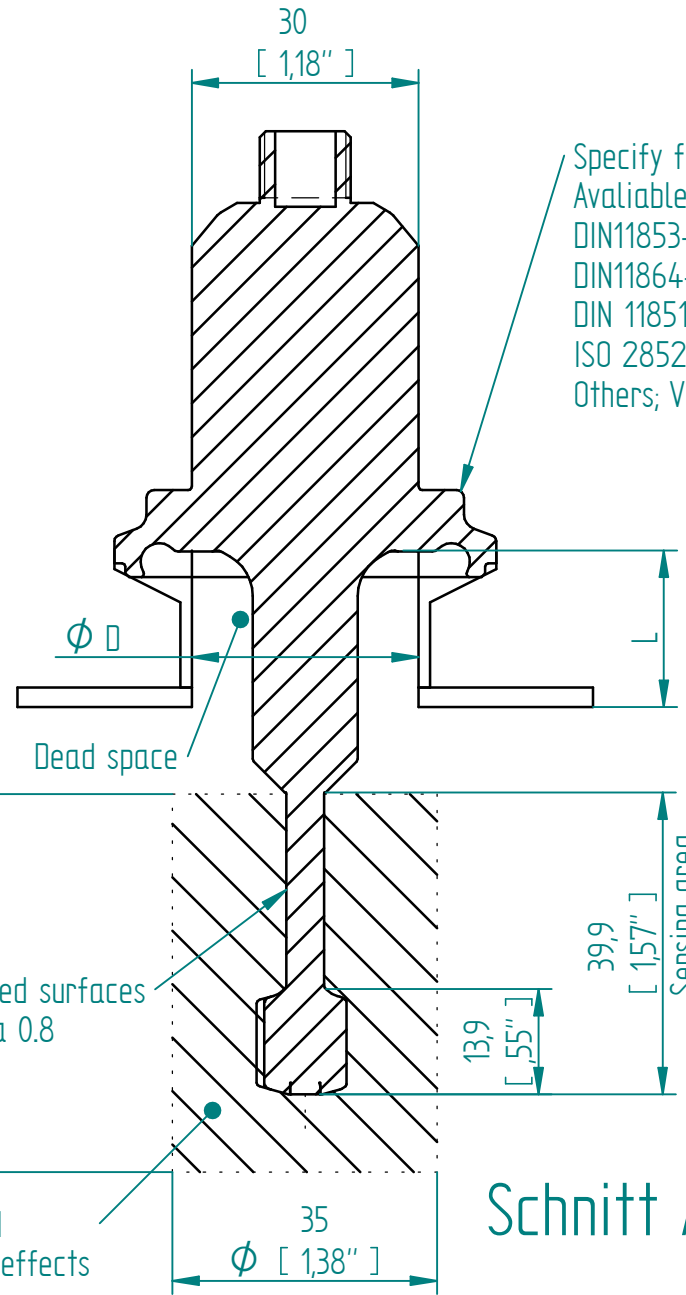


71,8
[2,83"]

Units: mm
[inch]

A

Recommended unobstructed
fluid volume to avoid wall effects



Dead space

All wetted surfaces
are < Ra 0.8

Sensing area

Specify flange in Order.
Available sizes are as follows:
DIN11853-1/2/3, Nominal diameter \geq DN40
DIN11864-1/2/3, Nominal diameter \geq DN40
DIN 11851, Nominal diameter \geq DN40
ISO 2852 (DIN 32676 B), Nominal diameter \geq DN40
Others; Variline®, BoiControl®, etc.

For EHEDG compliance
the criterion:
 $D-14\text{mm} > L$
must be fulfilled

Schnitt A-A

rheonics



inline process
density and viscosity
monitoring

SRD2 EHEDG short

This drawing remains property of rheonics. It may be neither copied nor informed to third persons or competitors without our approval. (2 paragraph 1 fig.7 copyright act of 9th Sept. 1965)

Protected by US and International patents granted and pending

rheonics • Switzerland • USA • www.rheonics.com • info@rheonics.com +41 52 511 32 00 +1 713 364 5427