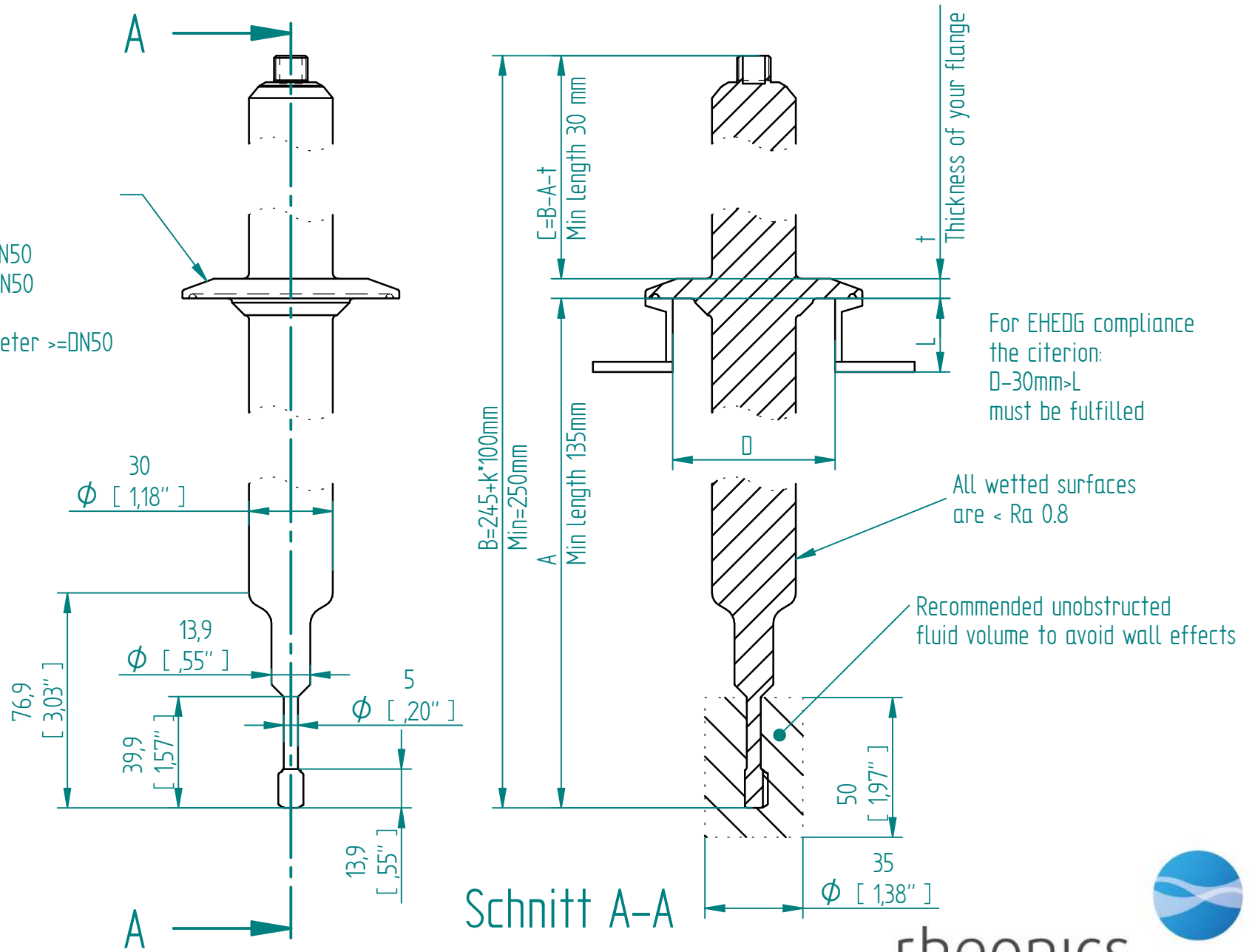


Specify flange in Order.
 Available sizes are as follows:
 DIN11853-1/2/3, Nominal diameter \geq DN50
 DIN11864-1/2/3, Nominal diameter \geq DN50
 DIN 11851, Nominal diameter \geq DN50
 ISO 2852 (DIN 32676 B), Nominal diameter \geq DN50
 Others; Variline®, BoiControl®, etc.



Units: mm [inch]

SRD2 EHEDG long

This drawing remains property of rheonics. It may be neither copied nor informed to third persons or competitors without our approval. (2 paragraph 1 fig.7 copyright act of 9th Sept. 1965)



Protected by US and International patents granted and pending

rheonics • Switzerland • USA • www.rheonics.com • info@rheonics.com +41 52 511 32 00 +1 713 364 5427