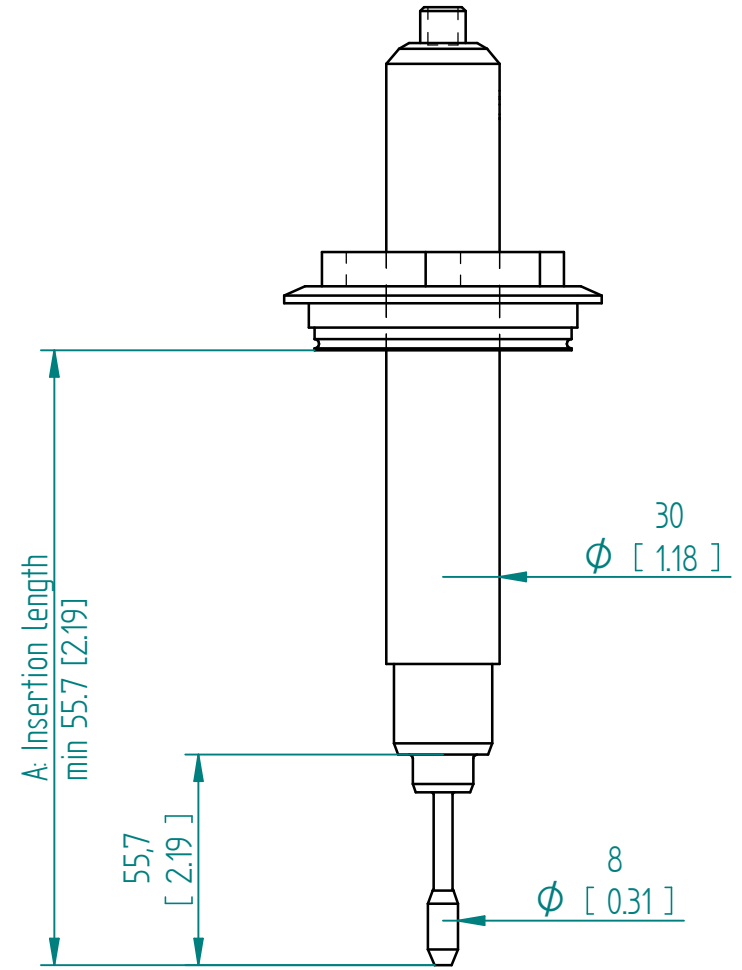
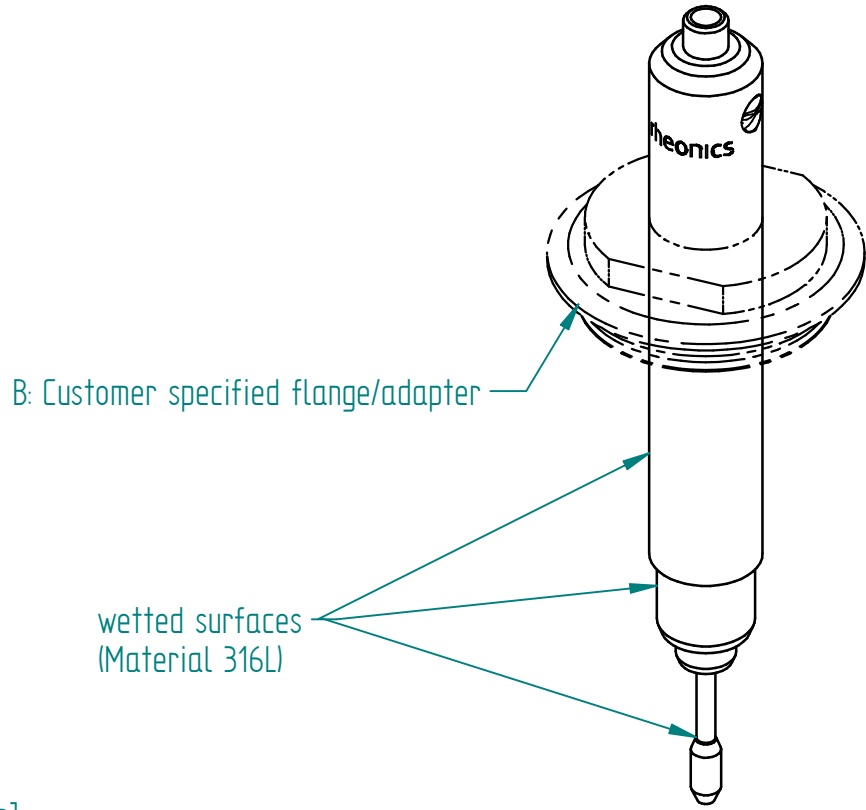


Variable dimensions:

- A: Insertion length** Any length larger than 55.7 mm
- B: Flange/adapter:** Specify the norm, size, pressure rating, e.g.
 - VARINLINE® Process connection F
 - VARINLINE® Process connection N
 - VARINLINE® Process connection G



Units: mm [inch]

SRV FPC
VARINLINE®, Long customizable insertion length

This drawing remains property of rheonics. It may be neither copied nor informed to third persons or competitors without our approval. (2 § paragraph 1 fig.7 copyright act of 9th Sept. 1965)