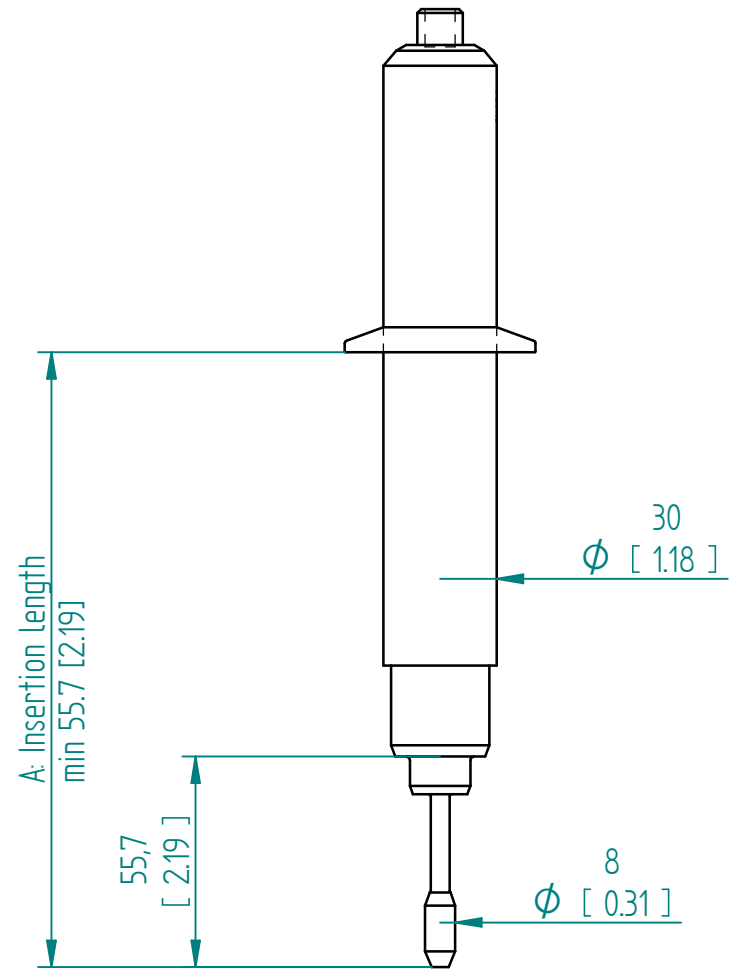
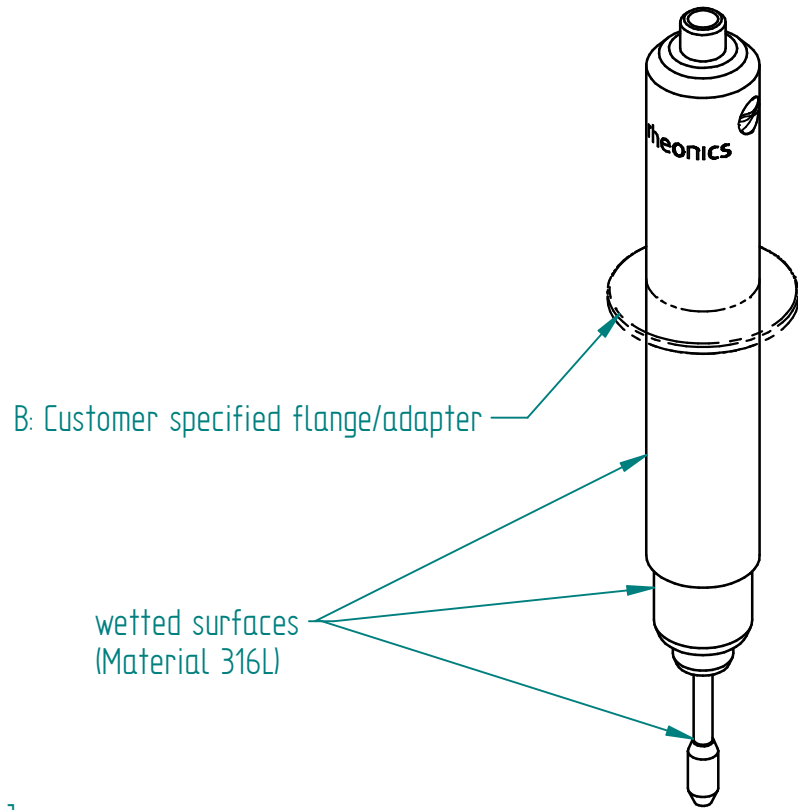


Variable dimensions:

A: Insertion length Any length larger than 55.7 mm

B: Flange/adapter: Specify the norm, size, pressure rating, e.g.
DIN 32676, D=50.5
DIN 32676, D=64
DIN 32676, D=77.5



Units: mm
[inch]

SRV FPC
TriClamp, Long customizable insertion length

This drawing remains property of rheonics. It may be neither copied nor informed to third persons or competitors without our approval. (2 § paragraph 1 fig.7 copyright act of 9th Sept. 1965)

Protected by US and International patents granted and pending

rheonics • Switzerland • USA • www.rheonics.com • info@rheonics.com +41 52 511 32 00 +1 713 364 5427

