

Variable dimensions:

A: Insertion length

Any length larger than 55.7 mm

B: Flange/adapter:

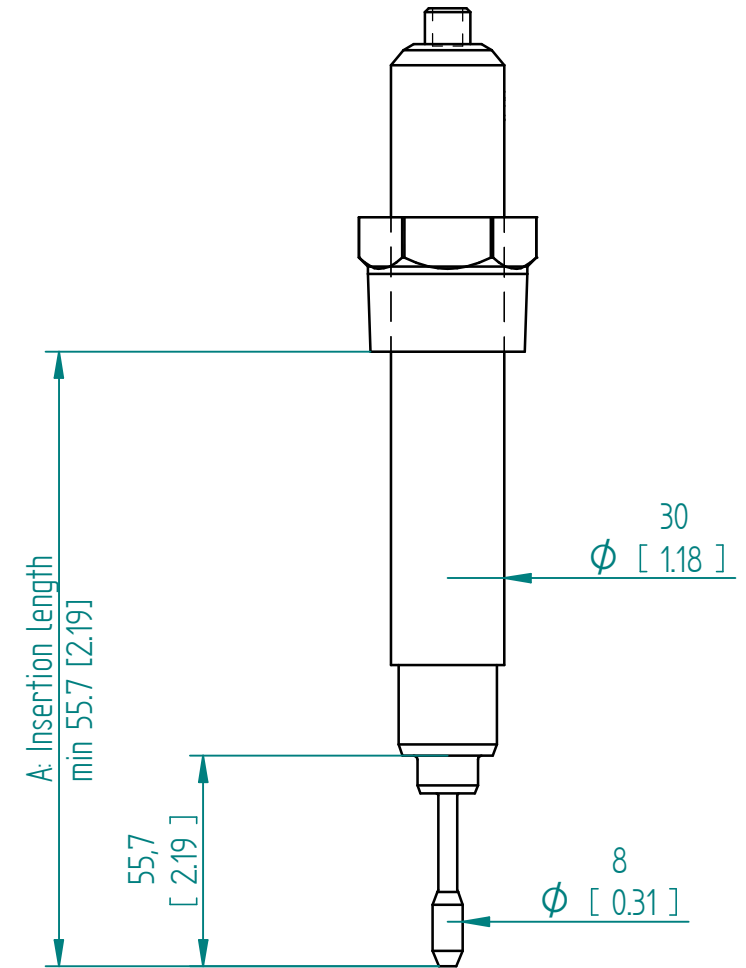
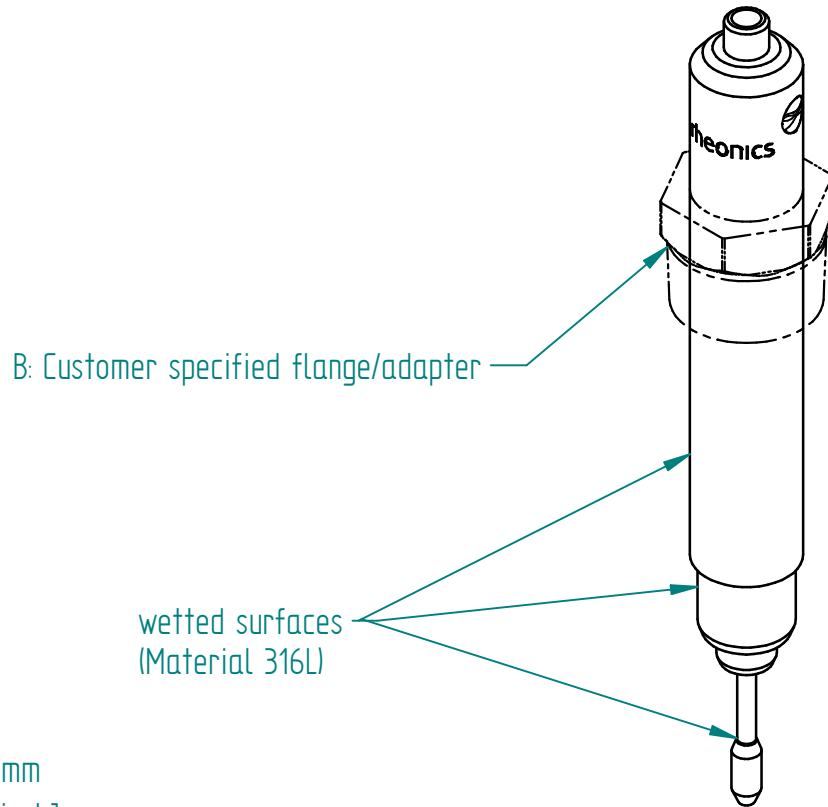
Specify the norm, size, pressure rating, e.g.

NPT 1 1/4"

NPT 2"

G1 1/4"

R1 1/4"



Units: mm
[inch]



inline process
density and viscosity
monitoring

SRV FPC
Thread, Long customizable insertion length

This drawing remains property of rheonics. It may be neither copied nor informed to third persons or competitors without our approval. (2 § paragraph 1 fig.7 copyright act of 9th Sept. 1965)

Protected by US and International patents granted and pending

rheonics • Switzerland • USA • www.rheonics.com • info@rheonics.com +41 52 511 32 00 +1 713 364 5427