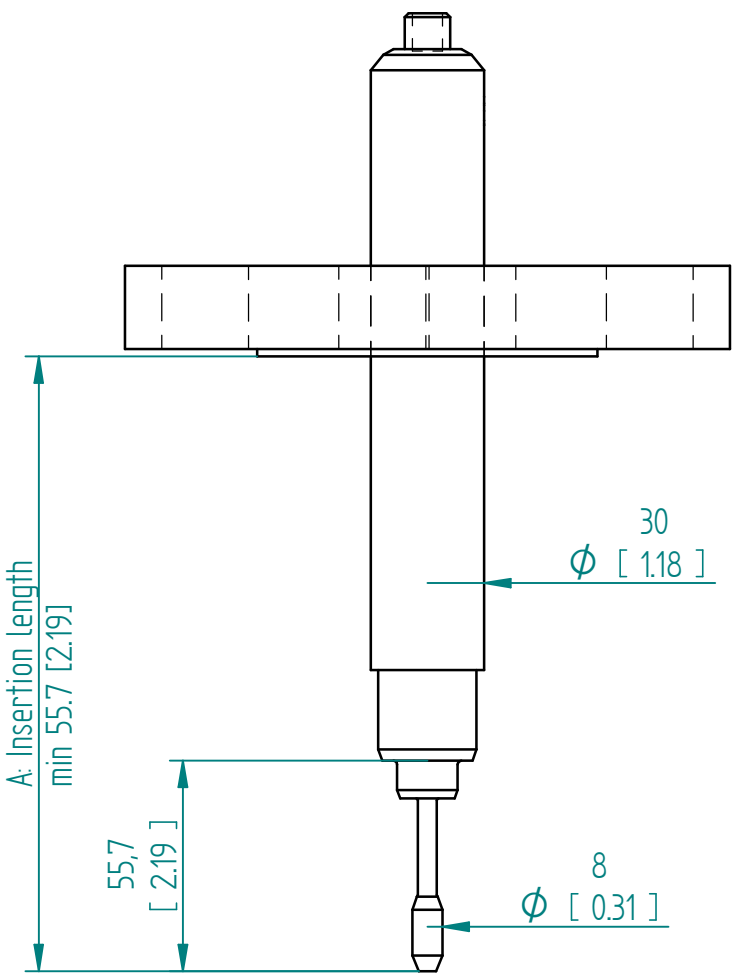
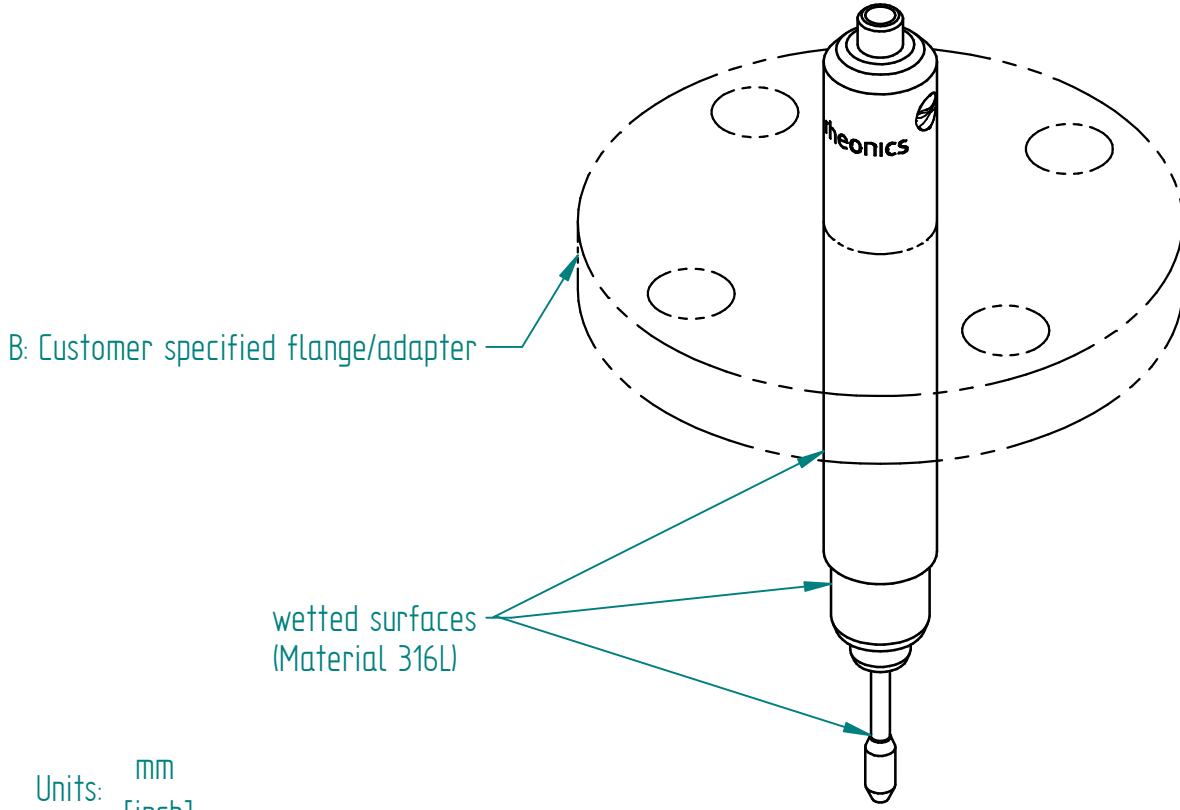


Variable dimensions:

- A: Insertion length** Any length larger than 55.7 mm
- B: Flange/adapter:** Specify the norm, size, pressure rating, e.g.
 - ANSI 150 LB RF 2 inch
 - ANSI 300 LB RF 1.5 inch
 - DIN DN40 PN16



Units: mm [inch]

SRV FPC
Flange, Long customizable insertion length

This drawing remains property of rheonics. It may be neither copied nor informed to third persons or competitors without our approval. (2 § paragraph 1 fig.7 copyright act of 9th Sept. 1965)

Protected by US and International patents granted and pending

rheonics • Switzerland • USA • www.rheonics.com • info@rheonics.com +41 52 511 32 00 +1 713 364 5427

