

Variable dimensions:

A: Insertion length

Any length larger than 49.5 mm

B: Flange/adapter:

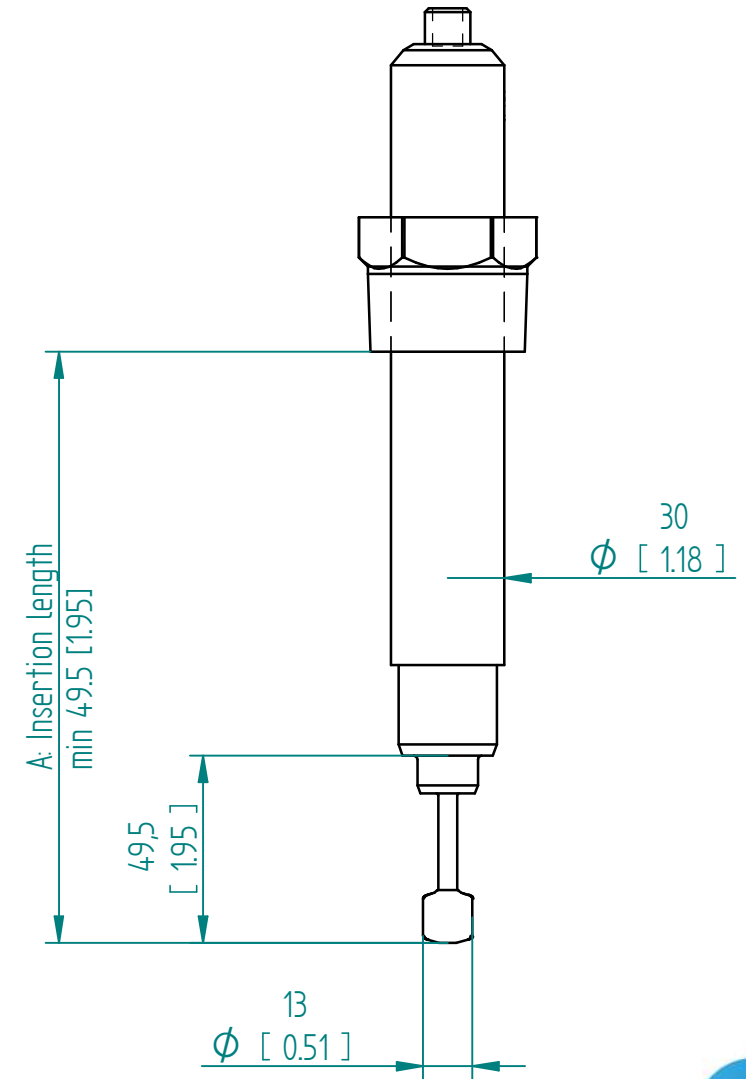
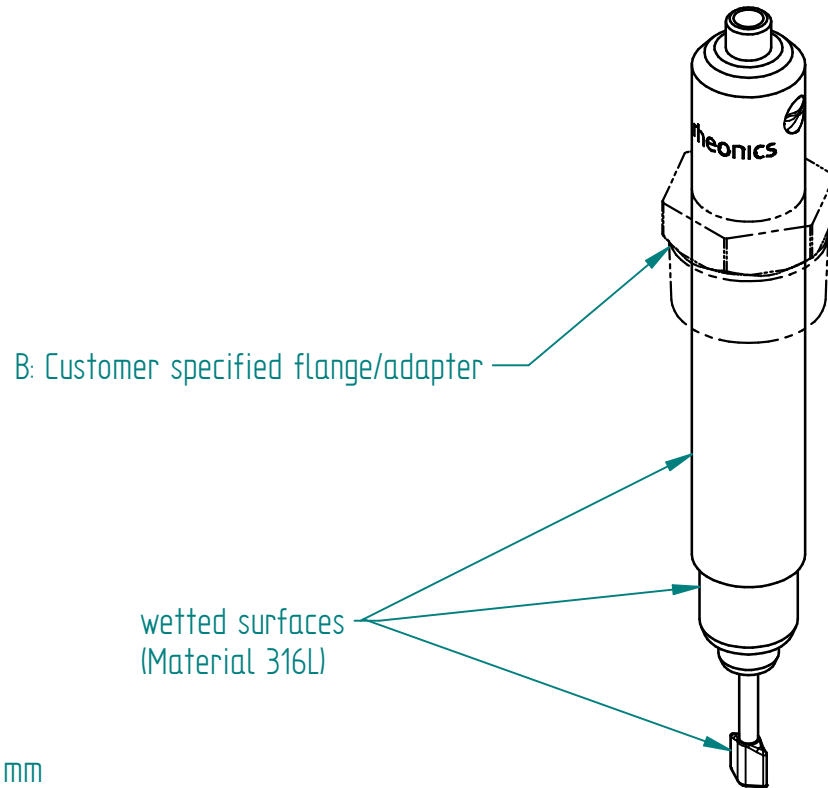
Specify the norm, size, pressure rating, e.g.

NPT 1 1/4"

NPT 2"

G1 1/4"

R1 1/4"



Units: mm
[inch]



SRD FPC
Thread, Long customizable insertion length
This drawing remains property of rheonics. It may be neither copied nor informed to third persons or competitors without our approval. (2 § paragraph 1 fig.7 copyright act of 9th Sept. 1965)

Protected by US and International patents granted and pending

rheonics • Switzerland • USA • www.rheonics.com • info@rheonics.com +41 52 511 32 00 +1 713 364 5427