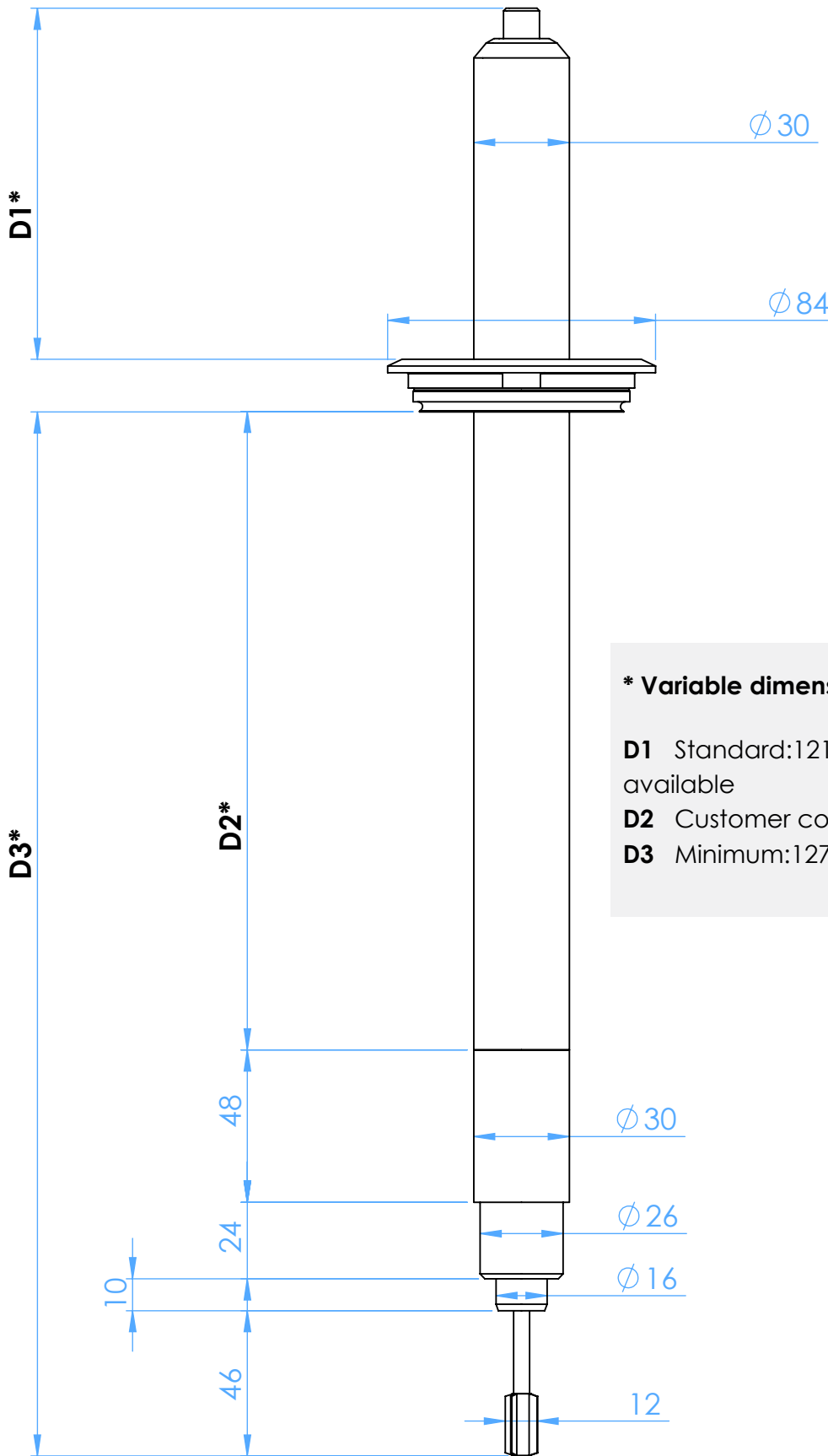




rheonics



DN XX

Process connection dimensions according to the size selected. All sizes available

*** Variable dimensions**

- D1** Standard: 121mm, longer and shorter lengths available
- D2** Customer configurable (in 100mm length unit)
- D3** Minimum: 127mm, Maximum: No Limit

SRD-FPC-VARINLINE

This drawing remains property of rheonics. It may be neither copied nor informed to third persons or competitors without our approval. (§ 2 paragraph 1 fig.7 copyright act of 9th Sept. 1965)