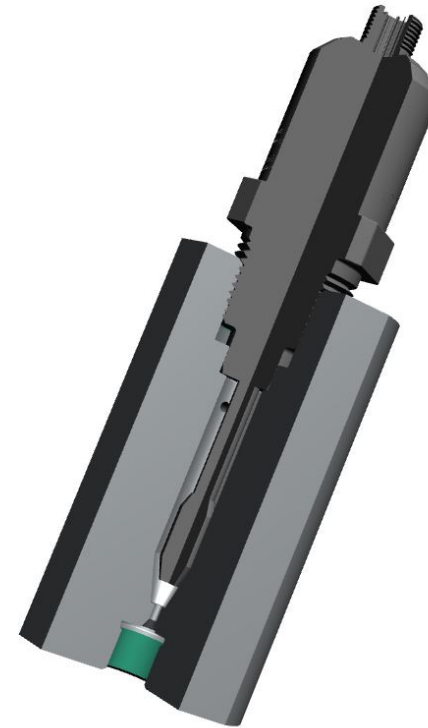


Description:		SRV-HPHT-Cell	
Rheonics GmbH Winterthur Switzerland contact: info@rheonics.com	Drawn Date:	24.08.2020	
	This drawing and any information or descriptive material set out on it are the confidential and copyright property of Rheonics GmbH and MUST NOT BE MODIFIED, COPIED, OR DISCLOSED or LOANED to third parties, in whole or part without the written permission of Rheonics GmbH.		
	Protected by US and international patents granted and pending		
	Disclaimer: Drawing and product subject to change without notice		

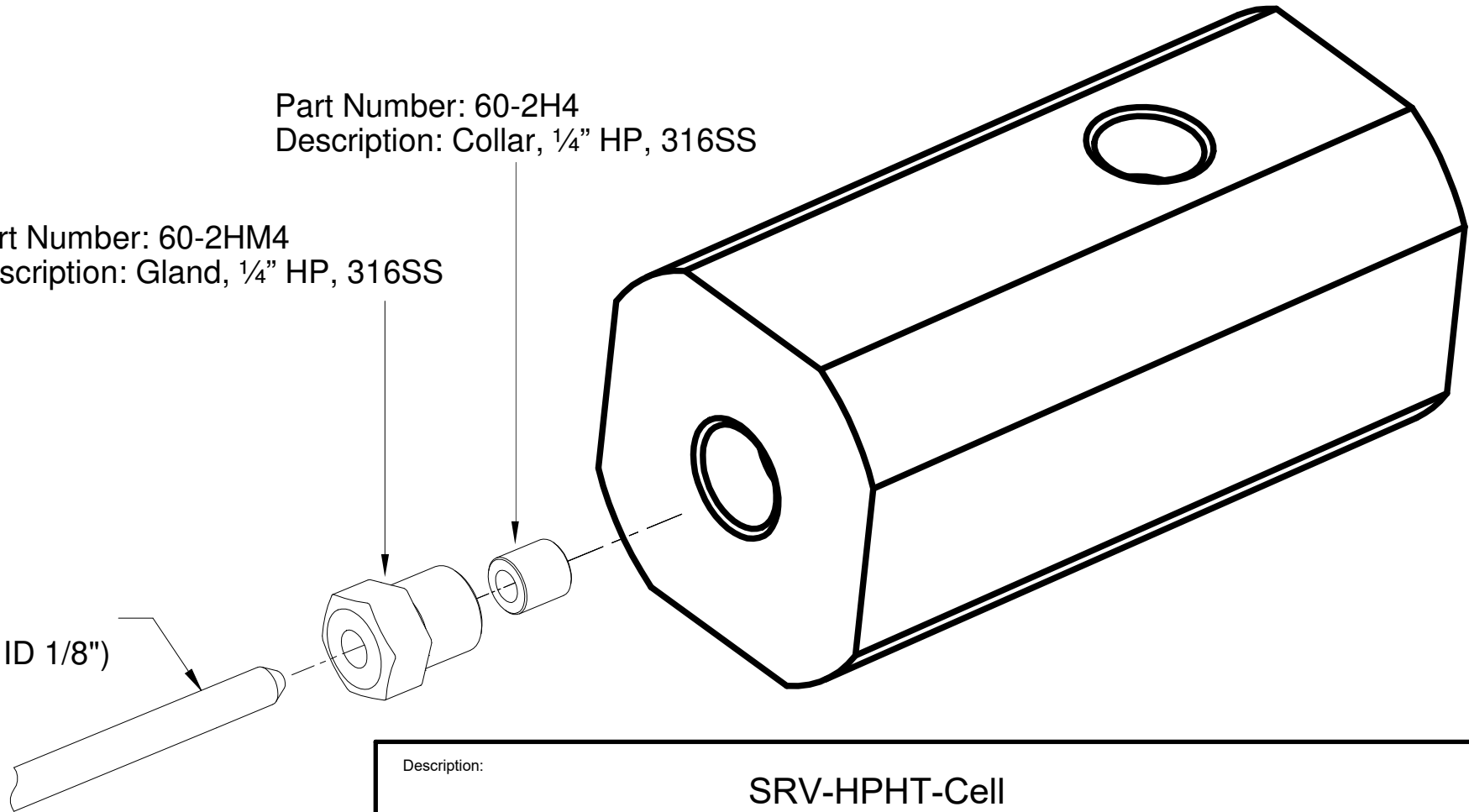


Description:	SRV-HPHT-Cell	
<p>Rheonics GmbH Winterthur Switzerland contact: info@rheonics.com</p>	Drawn Date:	24.08.2020
	<p>This drawing and any information or descriptive material set out on it are the confidential and copyright property of Rheonics GmbH and MUST NOT BE MODIFIED, COPIED, OR DISCLOSED or LOANED to third parties, in whole or part without the written permission of Rheonics GmbH.</p>	
	<p>Protected by US and international patents granted and pending</p>	
<p>Disclaimer: Drawing and product subject to change without notice</p>		

Part Number: 60-2H4
Description: Collar, 1/4" HP, 316SS

Part Number: 60-2HM4
Description: Gland, 1/4" HP, 316SS

Tube
(OD 1/4" - ID 1/8")



Description:

SRV-HPHT-Cell

Drawn Date: 24.08.2020

This drawing and any information or descriptive material set out on it are the confidential and copyright property of Rheonics GmbH and MUST NOT BE MODIFIED, COPIED, OR DISCLOSED or LOANED to third parties, in whole or part without the written permission of Rheonics GmbH.

Rheonics GmbH
Winterthur
Switzerland
contact: info@rheonics.com

Protected by US and international patents
granted and pending

Disclaimer: Drawing and product subject to change without notice