

Specify flange in Order.

Available sizes are as follows:

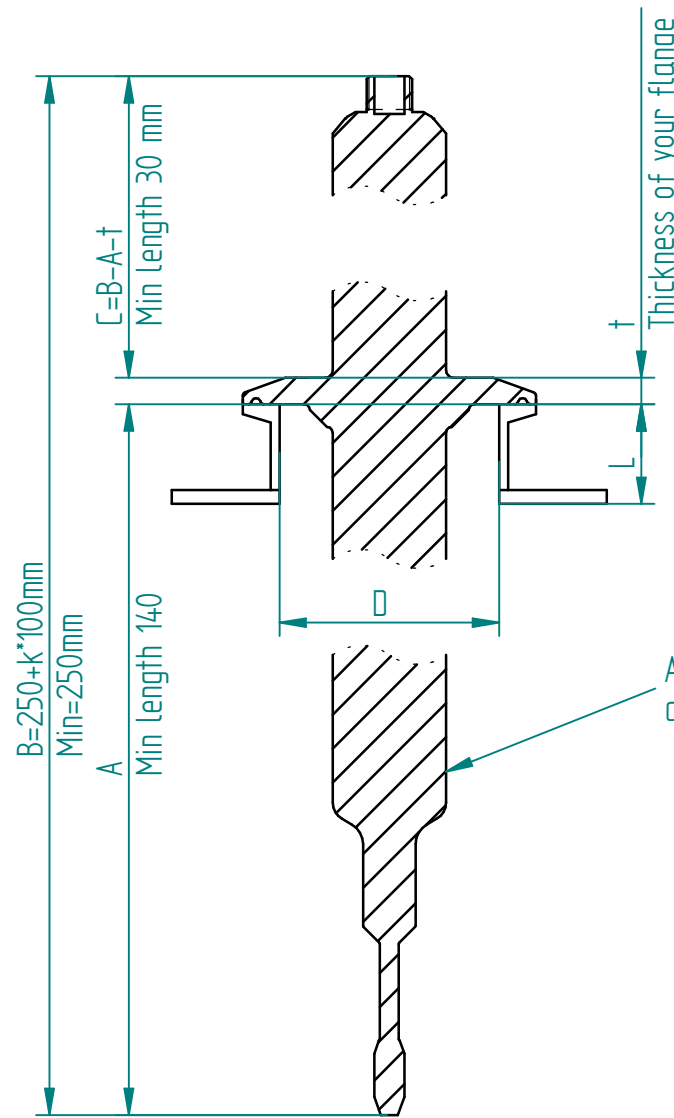
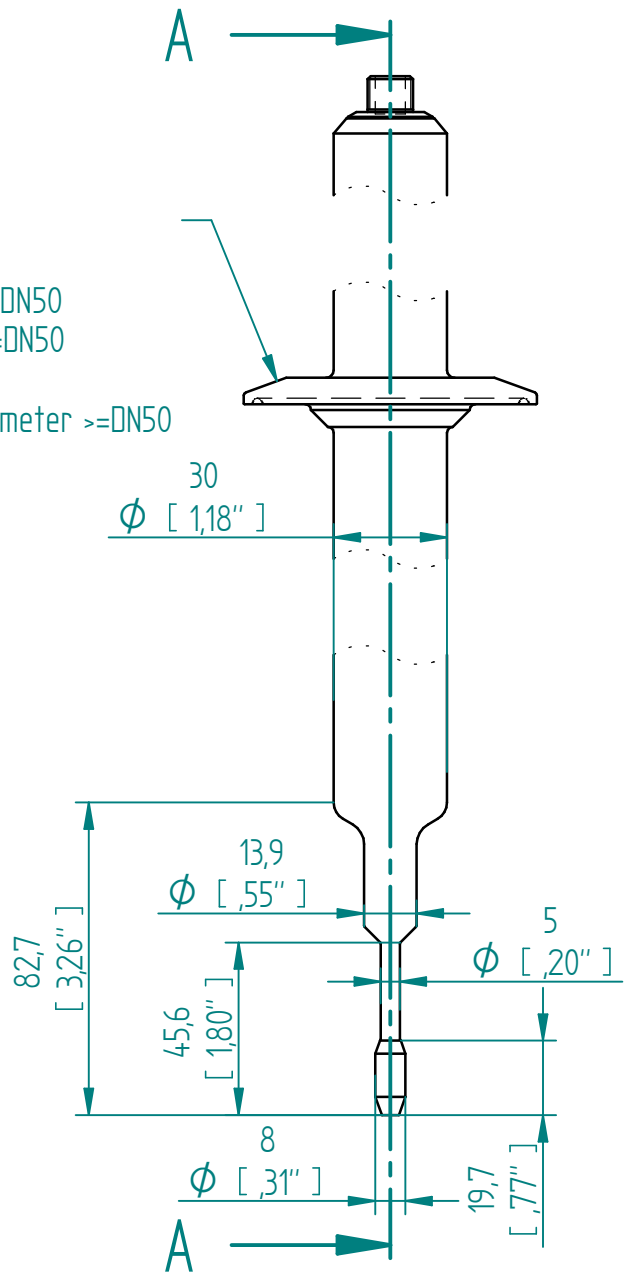
DIN11853-1/2/3, Nominal diameter \geq DN50

DIN11864-1/2/3, Nominal diameter \geq DN50

DIN 11851, Nominal diameter \geq DN50

ISO 2852 (DIN 32676 B), Nominal diameter \geq DN50

Others; Variline®, BoiControl®, etc.



For EHEDG compliance the criterion: $D-30\text{mm} > L$ must be fulfilled

All wetted surfaces are $< Ra\ 0.8$

Schnitt A-A

Units: mm
[inch]



inline process
density and viscosity
monitoring

SRV EHEDG long

This drawing remains property of rheonics. It may be neither copied nor informed to third persons or competitors without our approval. (2 paragraph 1 fig.7 copyright act of 9th Sept. 1965)

Protected by US and International patents granted and pending

rheonics • Switzerland • USA • www.rheonics.com • info@rheonics.com +41 52 511 32 00 +1 713 364 5427