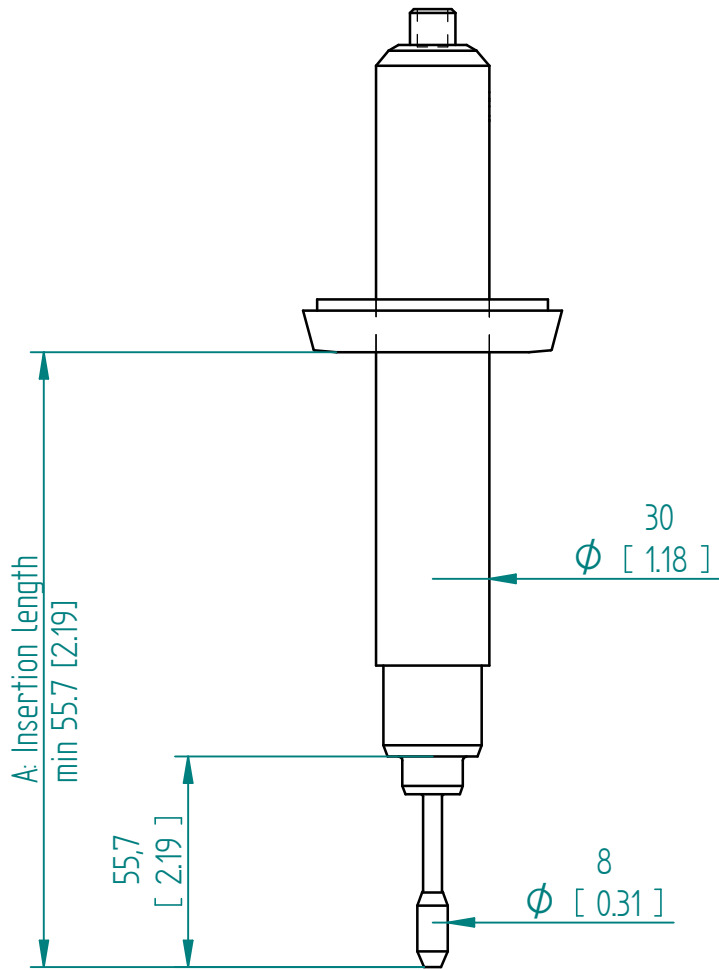
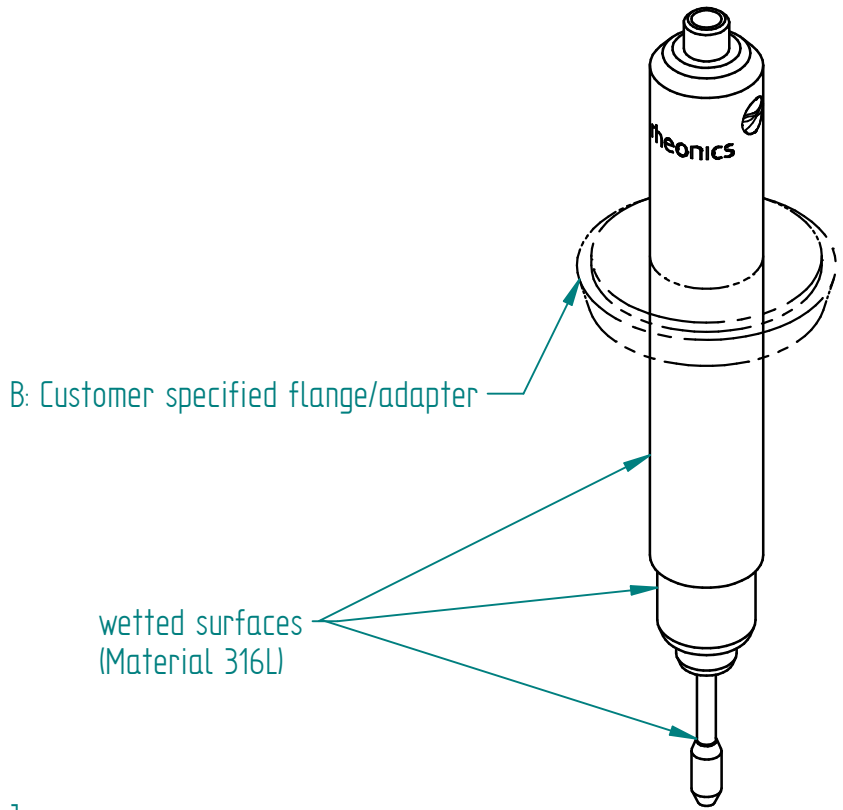


Variable dimensions:

- A: Insertion length** Any length larger than 55.7 mm
- B: Flange/adapter:** Specify the norm, size, pressure rating, e.g.
 - DIN 11851, DN32*
 - DIN 11851, DN40*
 - DIN 11851, DN50*



Units: mm [inch]

SRV FPC
DIN 11851, Long customizable insertion length

This drawing remains property of rheonics. It may be neither copied nor informed to third persons or competitors without our approval. (2 § paragraph 1 fig.7 copyright act of 9th Sept. 1965)

Protected by US and International patents granted and pending

rheonics • Switzerland • USA • www.rheonics.com • info@rheonics.com +41 52 511 32 00 +1 713 364 5427

