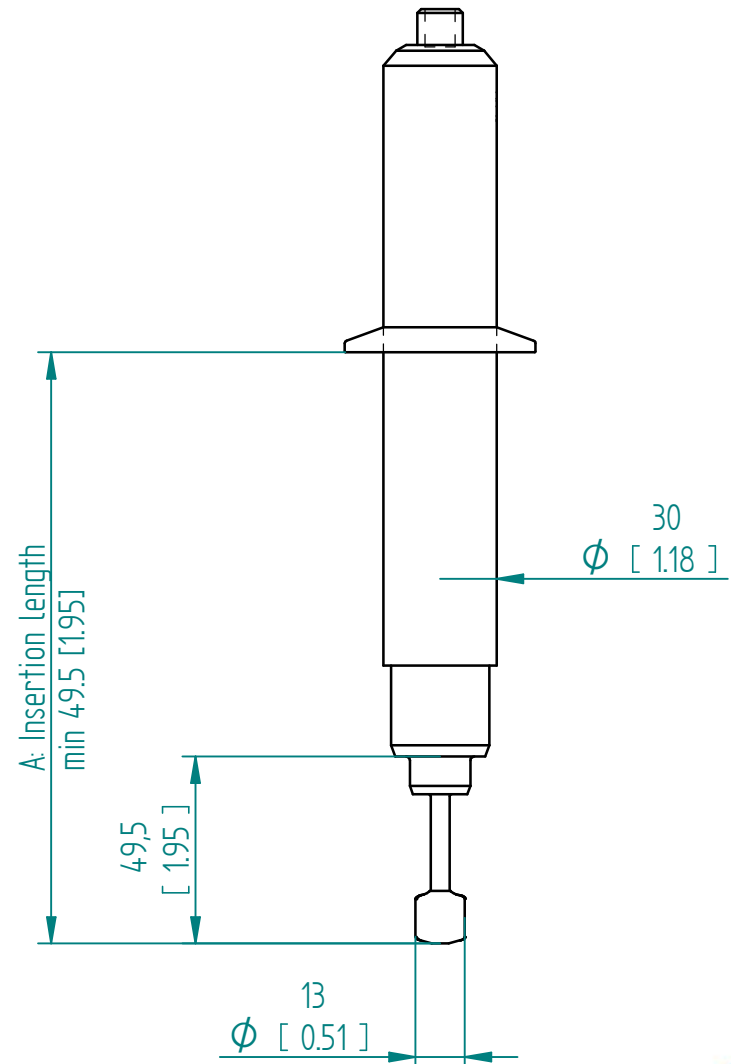
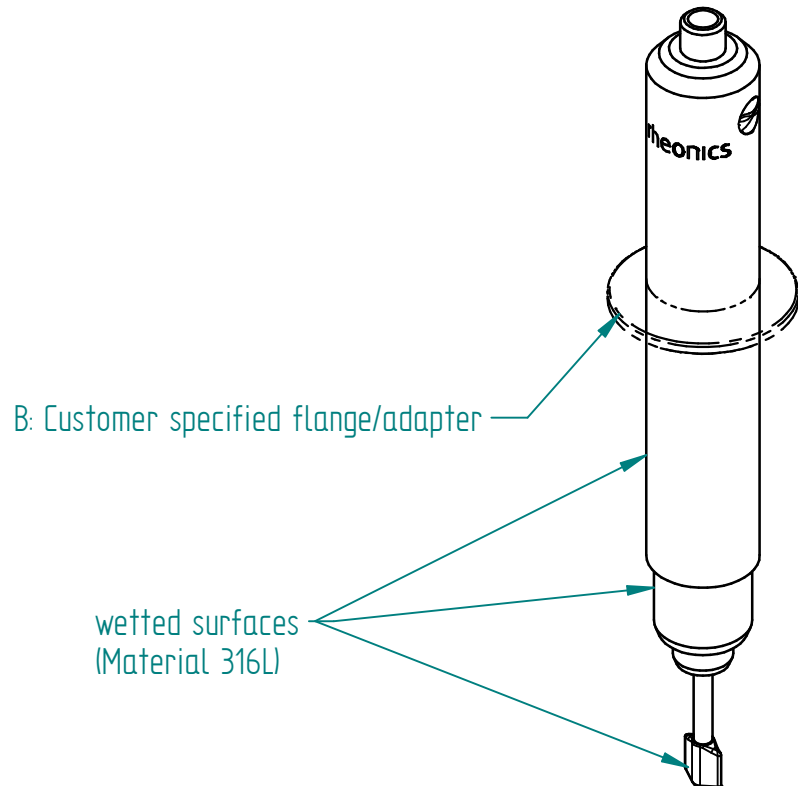


Variable dimensions:

- A: Insertion length** Any length larger than 49.5 mm
- B: Flange/adapter:** Specify the norm, size, pressure rating, e.g.
 - DIN 32676, D=50.5
 - DIN 32676, D=64
 - DIN 32676, D=77.5



Units: mm [inch]

SRD FPC
TriClamp, Long customizable insertion length

This drawing remains property of rheonics. It may be neither copied nor informed to third persons or competitors without our approval. (2 § paragraph 1 fig.7 copyright act of 9th Sept. 1965)